

Hot Dog Corral | HDC



PERFECTLY GRILLED HOT DOGS

The Antunes' Hot Dog Corral does not just cook hot dogs to perfection. It packs in the flavor by basting the hot dogs in their own juices as they move along the grill surface.

Our self-basting technology keeps your hot dogs juicy, fresh, and ready to serve to customers for up to six hours. With a variety of models available, the Hot Dog Corral is the perfect addition to any operation looking to turn hot dogs from an afterthought into a must have!



HDC-20 Hot Dog Corral



Self Basting

It packs in the flavor by basting the hot dogs in their own natural juices.



Easy Service

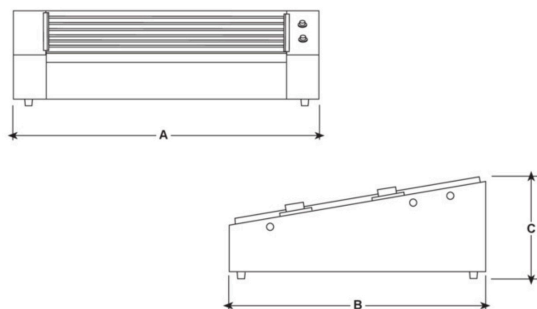
With only one moving part—the corral—there's less service than other hot dog grills.



Precise Holding

Temperature is controlled by a true thermostat and not any locked settings.

Hot Dog Corral | HDC



Features:

- Accommodates most sizes of hot dogs.
- Slanted grill surface for increased visibility.
- Precision thermostat for maintaining grill temperature.
- Easy to operate, clean, and service.
- Optional food shields available.
- Models available with a variety of capacities.

Model & Mfg. No.	Capacity	Approvals	Electrical Ratings					Dimensions				Shipping Weight
			Plug	Volts	Watts	Amps	Hz.	Width	Depth	Height		
HDC-20 9300300	20 four-to-a-pound 5" (127 mm) hot dogs		NEMA 5-15P	120	1000	8.3	50/60	18 3/4" (476 mm)	21 1/2" (546 mm)	8 1/4" (210 mm)	55 lbs. (24.9 kg)	
HDC-20 9300302	20 four-to-a-pound 5" (127 mm) hot dogs		CEE 7/7	230	1000	4.4	50/60	18 3/4" (476 mm)	21 1/2" (546 mm)	8 1/4" (210 mm)	55 lbs. (24.9 kg)	
HDC-20RC 9300306	20 four-to-a-pound 5" (127 mm) hot dogs		NEMA 5-15P	120	1000	8.3	50/60	18 3/4" (476 mm)	21 1/2" (546 mm)	8 1/4" (210 mm)	55 lbs. (24.9 kg)	
HDC-21A 9300320	21 four-to-a-pound 5" (127 mm) hot dogs		NEMA 5-15P	120	1000	8.3	50/60	23 1/8" (588 mm)	14 1/2" (368 mm)	7 1/4" (184 mm)	38 lbs. (17.2 kg)	
HDC-21A 9300322	21 four-to-a-pound 5" (127 mm) hot dogs		CEE 7/7	230	1200	5.2	50/60	23 1/8" (588 mm)	14 1/2" (368 mm)	7 1/4" (184 mm)	42 lbs. (19.1 kg)	
HDC-30A 9300330	30 four-to-a-pound 5" (127 mm) hot dogs		NEMA 5-15P	120	1500	12.5	50/60	22" (559 mm)	19 5/8" (498 mm)	7 1/4" (184 mm)	55 lbs. (24.9 kg)	
HDC-30A 9300332	30 four-to-a-pound 5" (127 mm) hot dogs		CEE 7/7	230	1500	6.5	50/60	22" (559 mm)	19 5/8" (498 mm)	7 1/4" (184 mm)	55 lbs. (24.9 kg)	
HDC-35A 9300340	35 four-to-a-pound 5" (127 mm) hot dogs		NEMA 5-15P	120	1750	14.6	50/60	33 3/8" (848 mm)	15 1/4" (387 mm)	7 1/4" (184 mm)	50 lbs. (22.7 kg)	
HDC-50A 9300350	50 four-to-a-pound 5" (127 mm) hot dogs		NEMA 5-15P	120	1750	14.6	50/60	32 1/2" (826 mm)	19 3/4" (502 mm)	7 1/4" (184 mm)	62 lbs. (28.1 kg)	
HDC-50A 9300352	50 four-to-a-pound 5" (127 mm) hot dogs		CEE 7/7	230	1750	7.6	50/60	32 1/2" (826 mm)	19 3/4" (502 mm)	7 1/4" (184 mm)	62 lbs. (28.1 kg)	



HDC-20



HDC-30A



HDC-35A



HDC-50A

* Unit comes with Canadian plug assembly.

Dimensions are for item without shipping box. Shipping weight includes item and shipping box. Items highlighted in blue are for international markets.

Hot Dog Accessories

Item	Mfg. No.	Description	For Use With
SG-20	9390102	Clear acrylic protective food shield. May be required by local health departments.	HDC-20
SG-21	9390104	Clear acrylic protective food shield. May be required by local health departments. Rated at 30 lbs. (13.6 kg) due to size regulations.	HDC-21A & HDC-30A
SG-35	9390100	Clear acrylic protective food shield. May be required by local health departments. Shipping weight is 35 lbs. (15.9 kg).	HDC-35A & HDC-50A
SG-50	9390106	Clear acrylic protective food shield. May be required by local health departments. For older HDC-50A's, a side panel kit is required for installation. Rated at 70 lbs. (31.8 kg) due to size regulations.	HDC-50A
—	7001646	Jumbo rack assembly to cook large diameter, four-to-a-pound hot dogs.	HDC-30A
—	7001645	Jumbo rack assembly to cook large diameter, four-to-a-pound hot dogs.	HDC-50A



SG-21 Clear Acrylic Shield