



HOSHIZAKI

> **IM-65A**

daily ice production capacity of up to 70kg



Cube ice is perfectly symmetrical and leaves a good impression with its hard, crystal clear quality that melts very slowly; allowing customers to enjoy their favourite drink longer. The I-Fit series of cube ice maker produces standard size ice (28x28x32mm) that is applicable in many settings and designed for uncomplicated usage from start to finish.



> **IM-65A**

CUBE ICE MAKER SERIES

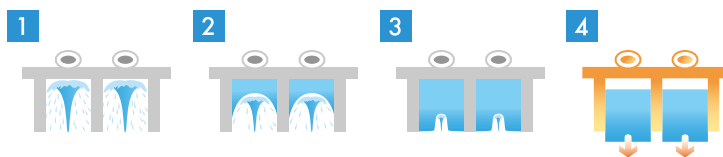
I-FIT
SERIES

FEATURES

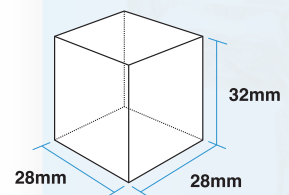
- > flush-back design for easy installation
- > round front door for quick access to ice
- > one-piece door design and pull-out air filter for simple cleaning
- > front water valve access for easy serviceability
- > sharp stainless steel exterior



UNIQUE ICE PRODUCTION SYSTEM

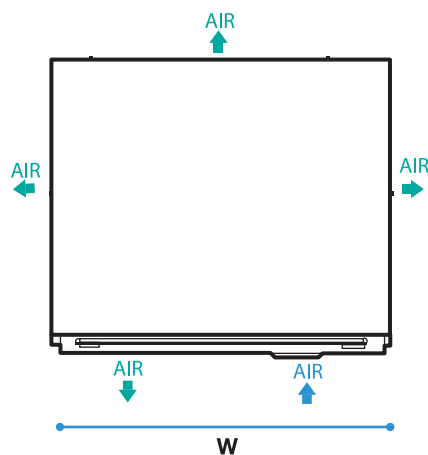


ICE SIZE

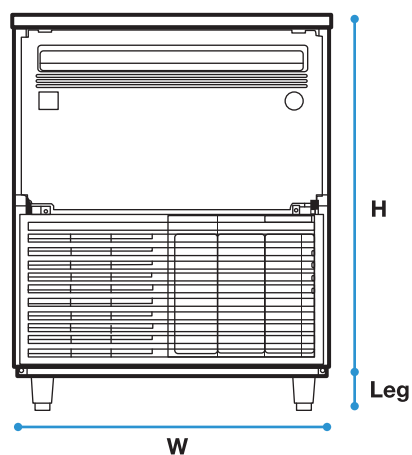


DIMENSIONS & SPECIFICATION

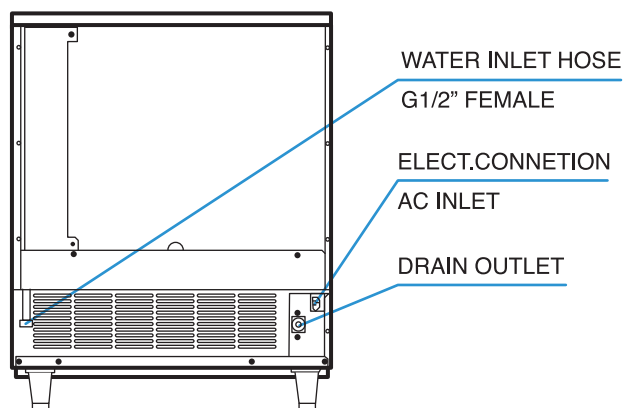
CUBE ICE MAKER AIR SYSTEM



FRONT SIDE



BACK SIDE



MODEL NAME		IM-65A
ICE DIMENSIONS (MM)		28 x 28 x 32
DIMENSIONS (MM)		Body : 660 x 570 x 800 / Leg Height : 90-120 mm
PACKED DIMENSIONS (MM)		760 x 680 x 980
WEIGHT (NETT/GROSS)		60 KG / 74 KG
AMPERAGE / STARTING AMPERAGE		3.2A / 18A
ELECTRICAL CONSUMPTION		390 W
REFRIGERANT CHARGE		R134a
HEAT REJECTION (AT32°C/WT21°C)		910 W (783 kcal/h)
ICE PRODUCTION PER 24H (15MM)	(AT10°C/WT10°C)	70 KG
	(AT21°C/WT15°C)	62 KG
	(AT32°C/WT21°C)	49 KG
WATER CONSUMPTION PER 24H (AT21°C/WT15°C)		0.14 m ³ 2.25L / 1KG ICE
ICE PRODUCTION (AT21°C/WT15°C)	FREEZE CYCLE TIME	26 MIN
	PER CYCLE	0.94 KG / 42 PCS
STORAGE CAPACITY		26 KG

NOTE: All dimensions indicated are Width x Depth x Height in mm.

OPERATING CONDITIONS: • Voltage Range: ±6% • Ambient Temperature: 1°-40°C
• Water Supply: 5°-35°C / 0.07-0.8 Mpa / 7.25-116 PSI • AC Supply Voltage: 1/220-240V / 50 Hz

• **WARRANTY:** Two years parts & labour for entire unit, 3rd year on compressor only. Excluding door & exterior damages