

## iM 12

Spiral kneading machine for pizza, pastry and bakery



### EXTERNAL CONSTRUCTION

- Structure in powder painted stainless steel.
- Spiral, basin, dough-breaker and safety grille in stainless steel.
- Thick frame to avoid vibrations in every working phase.
- Push-button panel on the right side.
- Machinery on rotating wheels.

### INTERNAL CONSTRUCTION

- Motorization with bath oil motoreducer.
- Chain drive.
- Rotating transmission parts are assembled on self lubricating ball bearings.
- Electrical equipment with low-voltage auxiliary circuit.
- Safety device for grille.

### OPERATION

- Dough homogeneity and oxygenation by the combined rotating movement of the utensil and basin.
- The shape of the spiral assures a low and constant temperature of dough during the working.
- Possibility to mix maximum 12 Kg in few minutes.

### STANDARD EQUIPMENT

- Spiral
- Basin
- Dough-breaker
- Rotating wheels
- Timer



**MORETTI FORNI S.P.A.**

[www.morettiforni.com](http://www.morettiforni.com)

[info@morettiforni.com](mailto:info@morettiforni.com)

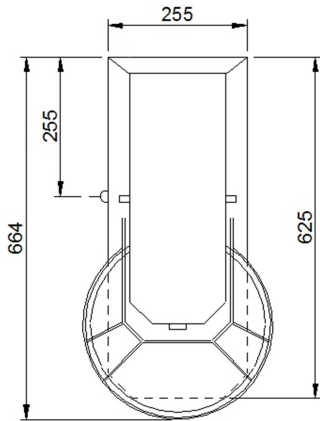
Via A.Meucci, 4 - 61037 Mondolfo (PU) ITALIA

Tel. +39.0721.96161 - Fax +39.0721.9616299

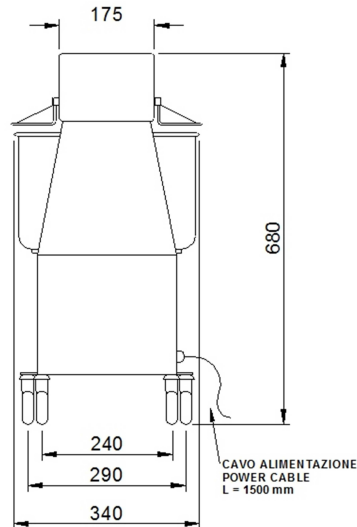


## iM 12

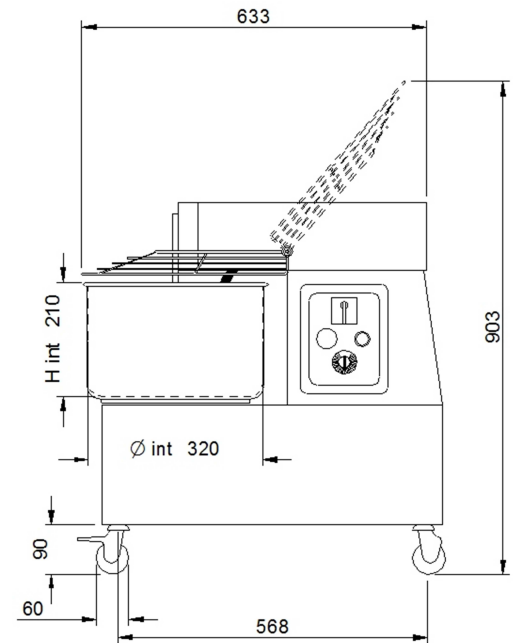
TOP VIEW



REAR VIEW



RIGHT SIDE VIEW



**Note:** The dimensions indicated in the views are in millimeters

### SPECIFICATIONS

Spiral kneading with firm head, ideal for small spaces with rotating wheels. To the construction are used height quality and robustness materials. Thanks to the particular shape of spiral and to the rotating movement of the utensil combined with that of the basin, the spiral kneading, gives possibility to mix in few minutes 12 Kg dough, and assures very good homogeneity and oxygenation. The model assure constant temperature of the dough from beginning to end working, so eliminate the danger of incidental overheating. The transmission system is particularly silent because all parts are assembled on waterthigt ball bearings with bath oil motoreducer, free maintenance. The machinery is provided of indispensables safety devices.

### TECHNICAL FEATURES

#### DIMENSIONS

External height	680 mm
External depth	664 mm
External width	350 mm
Weight	78 kg

#### BASIN CAPACITY

Capacity (dough)	12 kg
Capacity (volume)	15 lt
Basin internal diameter	320 mm
Basin internal height	210 mm
Spiral diameter	18 mm

#### SHIPMENT INFORMATION

Packed machinery:	
Max height	770 mm
Max depth	710 mm
Max width	410 mm
Weight	(78+6)kg

#### FEEDING AND POWER

<i>Standard feeding</i>	
A.C. V400 3 Power	0.75 kW
Frequency	50 Hz
<i>Feeding on request</i>	
A.C. V230 3 Power	0.75 kW
A.C. V230 1N Power	0.88 kW
Frequency	50 Hz
On request	frequency 60 Hz