

## Panini Grill | TL



**TL-5270**

With the Panini Grill from Antunes, any operation can easily serve customers a hot, fresh, and delicious panini in mere minutes.

This Panini Grill features a compact footprint that allows it to fit within operations of any size. The unit has a variable height adjustment to grill and lock in the flavor for sandwiches up to 2 3/4" thick.

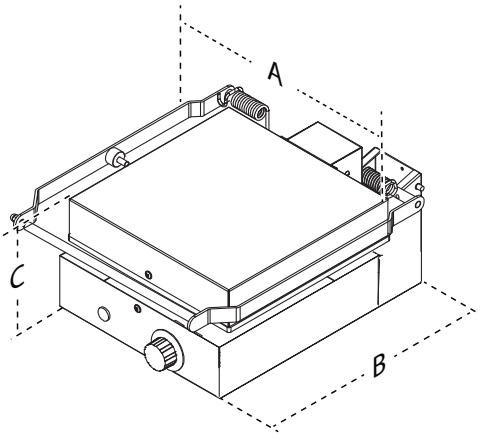
An easy-to-use dial thermostat on the front of the grill allows operators to quickly adjust the temperature setting depending on the sandwich. With adjustable pressure settings, the Panini Grill enables operators to achieve the perfect finish on each and every sandwich.

### FEATURES

- Easy to use.
- Easy-to-clean, two-sided non-stick grill surface.
- Small footprint.
- Adjustable temperature setting.
- Adjustable pressure setting.
- Variable height adjustment between 0 and 2 3/4" (0 and 70 mm).

# Panini Grill | TL

## Dimensions



Model & Mfg. No.	Width (A)	Depth (B)	Height (C)
TL-5270 9800202	11 1/4" (286 mm)	15 3/8" (391 mm)	6 1/2" (165 mm)

## Shipping Dimensions

Model & Mfg. No.	Height	Width	Depth	Weight
TL-5270 9800202	10" (254 mm)	17" (432 mm)	15" (381 mm)	25 lbs. (11 kg)

## Electrical Ratings and Plug Configuration

Model & Mfg. No.	Volts	Watts	Amps	Hertz	Plug Description
TL-5270 9800202	230	1710	7.4	50/60	CEE 7/7

P/N 1020298 01/17