

AXIOM®-3, CE 1L/2U SF

Height: 18.9" Width: 8.4" Depth: 22.1"
(48.0cm) (21.3cm) (56.1cm)



- Adjusts automatically to varying water pressure
- Automatic warmer shut-off
- For high lime areas, BrewLOGIC® technology calculates flow rate and adjusts brew time to maintain consistent pot levels
- Electronic diagnostics and built-in tank drain make service easier
- Ensure coffee quality with programming for brew level, cold brew lock-out and tank temperature, set easily from the front of the machine
- Coffee extraction controlled with programmable pre-infusion, pulse brew and digital temperature control
- Large 200oz. (5.9L) tank provides back-to-back brewing capacity
- Energy-saver mode reduces tank temperature during idle periods
- Hot water faucet
- SplashGard® funnel deflects hot liquids away from the hand
- Servers not included unless otherwise noted

Server(s) sold separately

Agency:



Specifications

Product #: 38700.0038

Warmers: Two Upper/ One Lower

Water Access: Plumbed

Finish: Stainless/Black

Funnel: Stainless Steel

Additional Features

Electrical & Capacity

Volts*	Amps	Watts	Cord Attached	Plug Type	8oz cups/hr 236ml cups/hr	Input H ₂ O Temp.	Phase	# Wires plus Ground	Hertz
220-240	13.2-14.4	2900-3500	Yes	EURO 16A	15	60°F (15.5°C)	1	2	50-60

*When a BUNN is machine rated 120/208-240V, 120/208V or 120/240V, the higher voltage is the supply voltage needed to power the machine. The 120V is there to supply power to some components rated 120V in the machine, but it is not the supply voltage and would not power the machine if the machine is marked with the before mentioned ratings.

Plumbing Requirements

PSI	kPa	Fitting Supplied	Water Flow Required (GPM)
20-90	138-621	1/4" Male Flare Fitting	0.50

CAD Drawings

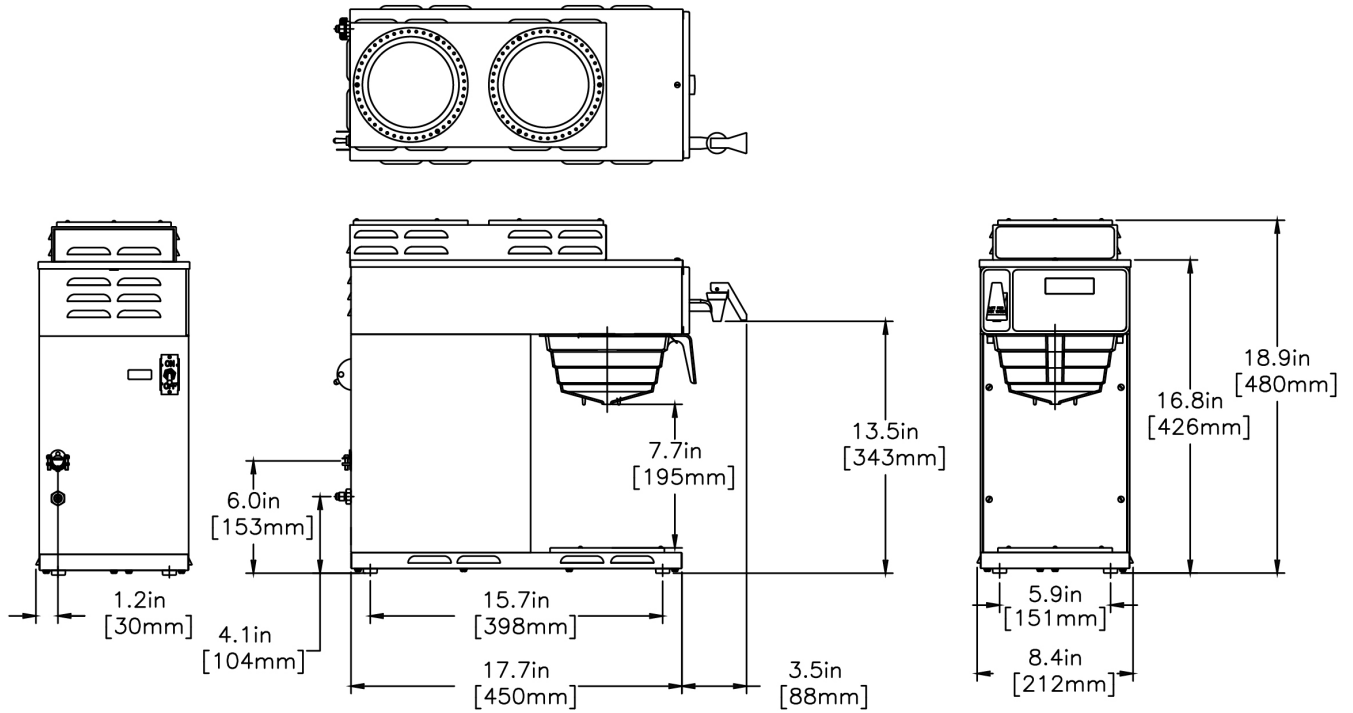
2D	Revit	KLC

WARNING:



BUNN® reserves the right to change specifications and product design without notice. Such revisions do not entitle the buyer to corresponding changes, improvements, additions or replacements for previously purchased equipment. For most current specifications and other info visit bunn.com.

Last Updated:
07/12/2023



	Unit			Shipping				
	Height	Width	Depth	Height	Width	Depth	Weight	Volume
English	18.9 in.	8.4 in.	22.1 in.	22.5 in.	11.9 in.	25.9 in.	32.300 lbs	3.972 ft ³
Metric	48.0 cm	21.3 cm	56.1 cm	57.2 cm	30.2 cm	65.8 cm	14.651 kgs	0.112 m ³



BUNN® reserves the right to change specifications and product design without notice. Such revisions do not entitle the buyer to corresponding changes, improvements, additions or replacements for previously purchased equipment. For most current specifications and other info visit bunn.com.

Last Updated:
07/12/2023

Related Products & Accessories: AXIOM®-3, CE 1L/2U SF(38700.0038)



FUNNEL W/DECAL,PPK
NAR BLK(SM)

Product #: 02774.0011



FUNNEL W/DECAL,PPK
NAR BLK(LG)

Product #: 04274.0012



FILTERS.REGULAR1M
500/2 50/CL

Product #: 20115.0000



FUNNEL ASSY, SST-BLK
HDL(7.12)

Product #: 20216.0000



FUNNEL W/DECALS,
BLACK PLASTIC

Product #: 20583.0003



FUNNEL ASSY, SST-PP
BLK HDL

Product #: 29151.0000



FUNNEL ASSY,SST-PP
ORANGE HDL

Product #: 29151.0001



BUNN® reserves the right to change specifications and product design without notice. Such revisions do not entitle the buyer to corresponding changes, improvements, additions or replacements for previously purchased equipment. For most current specifications and other info visit bunn.com.

Last Updated:
07/12/2023

Serving & Holding Options: AXIOM®-3, CE 1L/2U SF(38700.0038)

 <p>EASY POUR®,(BLK) 1/CS Product #:06100.0101</p>	 <p>EASY POUR®,(BLK) 2/CS Product #:06100.0102</p>	 <p>EASY POUR®,(BLK) 6/CS Product #:06100.0106</p>	 <p>EASY POUR®,(BLK) 12/CS Product #:06100.0112</p>	 <p>EASY POUR®,(BLK) 24/CS Product #:06100.0124</p>
 <p>EASY POUR®,(ORN) 1/CS Product #:06101.0101</p>	 <p>EASY POUR®,(ORN) 3/CS Product #:06101.0103</p>	 <p>EASY POUR®,(ORN) 24/CS Product #:06101.0124</p>	 <p>DECANTER, GLASS-BLK 12C 24/CS Product #:42400.0024</p>	 <p>DECANTER, GLASS-BLK 12CUP 1PK Product #:42400.0101</p>
 <p>DECANTER, GLASS-BLK 12C 3/CS Product #:42400.0103</p>	 <p>DECANTER, GLASS-ORN 12C 24/CS Product #:42401.0024</p>	 <p>DECANTER, GLASS-ORN 12 CUP 1PK Product #:42401.0101</p>	 <p>DECANTER, GLASS-ORN 12C 3/CS Product #:42401.0103</p>	



BUNN® reserves the right to change specifications and product design without notice. Such revisions do not entitle the buyer to corresponding changes, improvements, additions or replacements for previously purchased equipment. For most current specifications and other info visit bunn.com.

Last Updated:
07/12/2023