

## SF/60 P

Professional Dough Sheeters Machine for Pastry and Bakery



### EXTERNAL CONSTRUCTION

- Base structure in painted stainless steel
- Shoulders in aluminium fusion
- Belt conveyer with changeable speed in the two driving directions
- Extractable belt conveyers holder
- Safety devices in stainless steel
- Ergonomic handle to choice dough thickness
- Hand and foot lever to inverse the driving direction
- Sheet of pastry collector in stainless steel
- Machine on wheels

### INTERNAL CONSTRUCTION

- Dough rollers diameter 60 mm
- Chain drive
- Disassembly scrapers for rolling cylinders
- Electrical system with low-voltage auxiliary circuits
- End run connected to safety devices

### OPERATION

- The dough rollers extend any type dough pastry even very thin thickness
- The belt conveyers with changeable speed suitable to avoid wrinkledness
- Raiseble surfaces for overall sizes reducing at rest time

### STANDARD EQUIPMENT

- Rolling pins to rolling up the dough after rolling-mill process
- Flour-holder basin

### OPTIONS AND ACCESSORIES

(WITH SURCHARGE)

- Croissants cutter
- Monophasic electric motor 1 speed
- Belt conveyers - measure (60 x 71) mm
- Belt conveyers - measure (60 x 95) mm
- Belt conveyers - measure (60 x 140) mm
- Belt conveyers - measure (60 x 150) mm



**MORETTI FORNI S.P.A.**

www.morettiforni.com

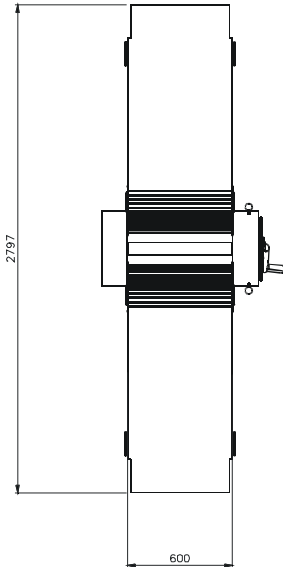
e-mail: marketing@morettiforni.com

Via A.Meucci, 4 - 61037 Mondolfo (PU) ITALIA

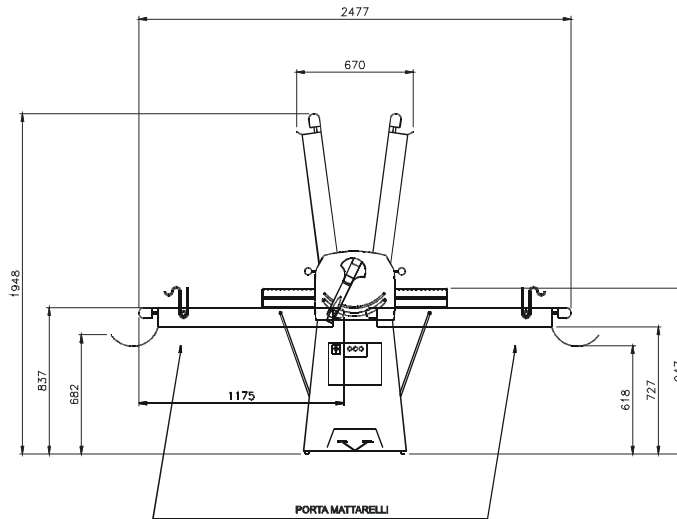
Tel. +39.0721.96161 - Fax +39.0721.9616299

## SF/60 P

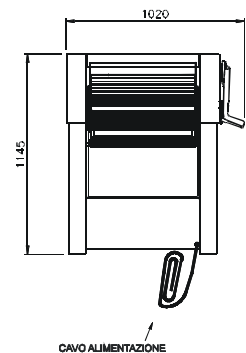
TOP VIEW



REAR VIEW



RIGHT SIDE VIEW



**Note:** The dimensions indicated in the views are in millimetres

### SPECIFICATIONS

Dough sheeters very compact on purpose studied for small spaces. It is equipped of belt conveyers with two speeds in the two driving directions. Easy to use by mean of front control panel. The machine give possibility to obtain different thickness of dough, from 3,5 mm to few millimetres, thanks the accurate regulation of the rollers. Raiseble surfaces for overall sizes reducing. The machine is on rotating wheels and has adjustable foots for stability during operation.

The data under indicated are referred to the open machine

#### DIMENSIONS

External height	1145 mm
External depth	1020 mm
External width	2797 mm
Weight	215 kg

#### SHIPMENT INFORMATIONS

Packed machinery:	
Max height	1540 mm
Max depth	1070 mm
Max width	875 mm
Weight	(215+10) kg

#### FEEDING AND POWER

<i>Standard feeding</i>	
A.C. V 400 3	
<i>Feeding on request</i>	
A.C. V230 3	
Frequency	50 Hz
Power	0.75 kW
Cable equipped	
Type	4 x 1.5 mm <sup>2</sup>
Length	3000 mm

#### MACHINE CAPACITY

Belt conveyer	(1175 x 600) mm
Cylinders diameter	60 mm
Max cylinder range	35 mm