

Gold Standard Toaster | GST



GST-5V

The Gold Standard Toaster is the newest development from Antunes, the recognized leader in bun toasting in the foodservice industry. Featuring an innovative and unique toasting system, the GST model provides operations with quality, reliability, and consistency in their toasting platform.

The GST-5V model utilizes dual-belt technology that cradles buns as they move along the heat source, eliminating defects such as sticking, slipping, and bun marking. The belts are continuously moving so operators can immediately load product as needed without any delay.

The energy-efficient design of the GST-5V keeps heat locked in the toasting chamber and keeps the outside surface cool to the touch, which can provide operations with 30% energy savings compared to other toasters.

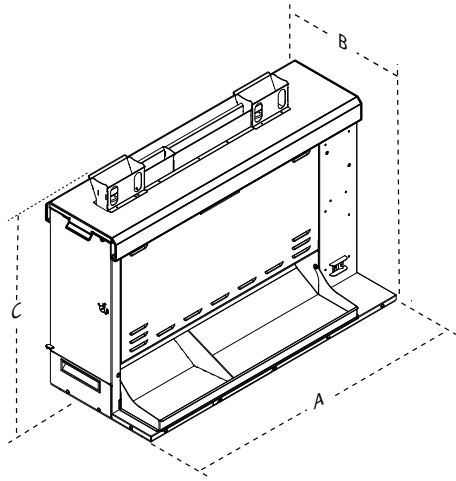
The GST-5V model features five toasting lanes, including an integrated lane for two-sided toasting. With fully programmable temperature and motor speed settings, the GST-5V has the flexibility to easily toast a variety of different bread products for any size operation.

FEATURES

- New energy-efficient design reduces heat loss and prevents outside surface of toaster from becoming hot.
- 30% energy savings compared to other toasters.
- Features five toasting lanes, including an integrated lane for two-sided toasting in a single pass.
- Electronic temperature controller ensures proper calibration and even toasting.
- Dual-belt technology eliminates defects such as sticking, slipping, and bun marking.
- Continuously moving belts allow immediate feeding of buns without sticking.
- Fully programmable temperature and motor speed settings ensure your products are toasted properly.

Gold Standard Toaster | GST

Dimensions



Model No.	Width (A)	Depth (B)	Height (C)
GST-5V 9210880	34 1/4" (870 mm)	14 3/4" (375 mm)	24 27/32" (631 mm)

Bun Specifications

Crowns			Heels		
Feeder Opening	Min.	Max.	Feeder Opening	Min.	Max.
1 15/32" (37 mm)	39/64" (16 mm)	51/64" (20 mm)	1 1/32" (26 mm)	25/64" (10 mm)	9/16" (14 mm)

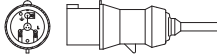
Shipping Dimensions

Model No.	Width (A)	Depth (B)	Height (C)
GST-5V 9210880	39 5/8" (1,006 mm)	20 3/8" (517 mm)	29 3/4" (756 mm)

Electrical Ratings

Model No.	Volts	Watts	Hertz
GST-5V 9210880	230	4600	50/60

Plug Configuration

Model No.	Plug Description	Plug Configuration
GST-5V 9210880	IEC 309 Plug 32 Amp., 230 VAC Three Pin	

Specifications

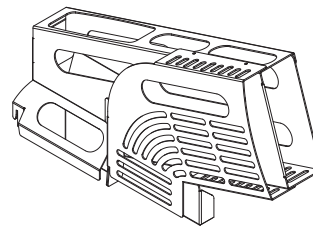
Toasting Time: Adjustable

Temperature Control: Solid State with Display

Power Cord: Six-foot grounded power cord supplied

Warranty: One year parts and labor

Accessories



Angular Feeder (P/N 7001110)

The Angular Feeder attaches to the top of the unit to provide operations with easier access when loading product.

P/N 1020395 05/17