

The Eco ST El Bandido

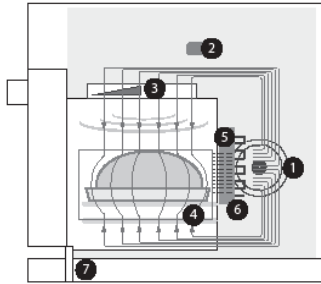


PERFORMANCE

Using patented TurboChef's technology, the Eco ST El Bandido is a rapid cook oven that can operate as a high-speed/high-quality panini press with the flexibility to rapidly cook non pressed foods while requiring less space and consuming less energy.

VENTILATION

- Ventless certification
- EPA 202 test (8 hr):
 - Product: 162 Pepperoni Pizzas
 - Results: 0.89 mg/m³
 - Ventless Requirement: <5.00 mg/m³
- Internal catalytic filtration to limit smoke, grease, and odor emissions.



1. Blower Motor
2. Top-launched Microwave
3. Stirred Impinged Air (Top) and Microwave
4. Air Impingement (Bottom)
5. Catalytic Converter
6. Heater
7. Air Filter

EXTERIOR CONSTRUCTION

- Corrosion-resistant steel outer wrap and door
- Cool-to-touch exterior; all surfaces below 122°F/50°C
- Ergonomic door handle

INTERIOR CONSTRUCTION

- 201/304 stainless steel
- Fully welded and insulated cook chamber
- Removable rack and lower jetplate

STANDARD FEATURES

- Simple and intuitive one-touch controls
- Panini press mechanism with anodized aluminum upper and lower griddle press plates
- Single motor vertically circulates air impingement
- Top-launched microwave system
- Stirrer to help ensure even distribution of air and microwave
- Integral recirculating catalytic converter for UL® (KNLZ) listed ventless operation
- External air filtration
- Unlimited recipe storage
- Customizable menu settings via Wi-Fi (additional fees apply), USB or manual entry
- USB compatible
- Self-diagnostics for monitoring oven components and performance
- Includes plug and cord (6 ft. nominal)
- Warranty – 1 year parts and labor
- Open Kitchen ready

CONNECTIVITY PART NUMBERS

- MDD-1001 - Initial equipment, two-way connectivity bundle
- MDD-1002 - Additional equipment, two-way connectivity bundle
- MDD-1003 - Additional year of subscription (PhD SAAS)



STANDARD ACCESSORIES

- 1 Oven Cleaner and Guard Kit (105701)
- 1 Aluminum Paddle (i1-9716)
- 2 Solid PTFE Basket (i1-9166)

CERTIFICATIONS



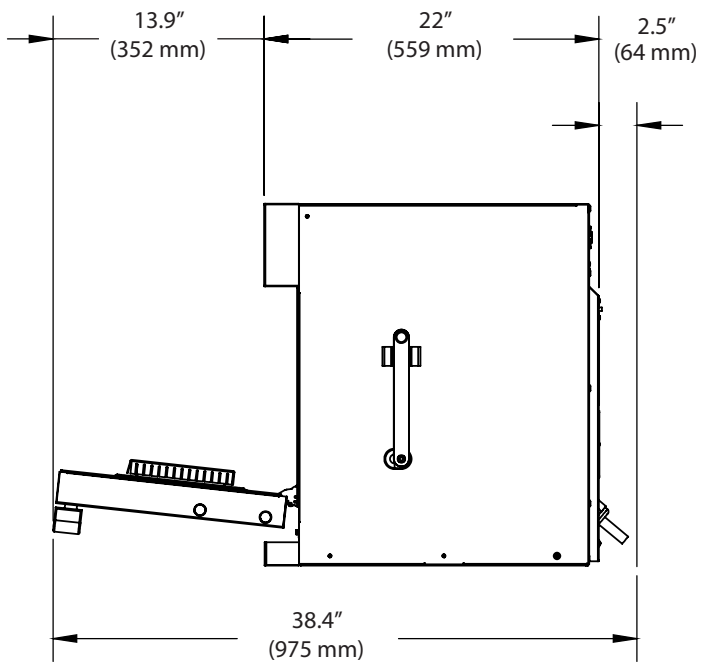
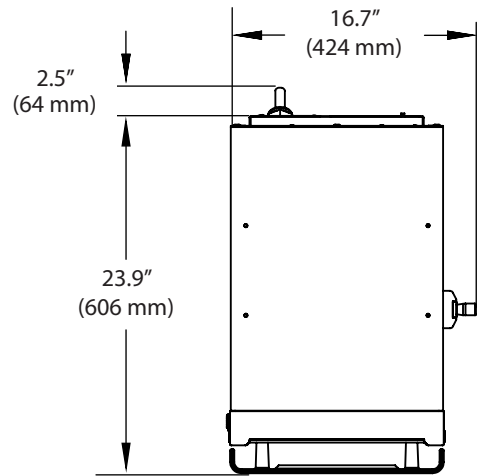
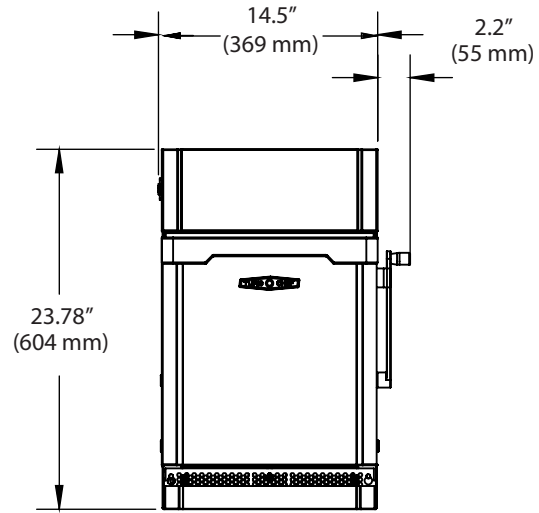
This product conforms to the ventilation recommendations set forth by NFPA96 using EPA202 test method.

[†] Ventless certification is for all food items except for foods classified as "fatty raw proteins." Such foods include bone-in, skin-on chicken, raw hamburger meat, raw bacon, raw sausage, steaks, etc. If cooking these types of foods, consult local HVAC codes and authorities to ensure compliance with ventilation requirements.

TurboChef reserves the right to make substitutions of components or change specifications without prior notice.



DIMENSIONS		
Height	23.78"	604 mm
Width	16.7"	424 mm
Depth	26.4"	670 mm
Weight	135 lb.	61.23 kg
Cook Chamber		
Height / Usable Height	7.2" / 5.7"	183 mm / 145 mm
Width	12.5"	318 mm
Depth / Usable Depth	10.5" / 9.3"	267 mm / 236 mm
Volume / Usable Volume	0.54 cu.ft. / 0.38 cu.ft.	15.3 liters / 10.7 liters
Wall Clearance (Oven not intended for built-in installation)		
Top	5"	127 mm
Sides	1"	25 mm
ELECTRICAL SPECIFICATIONS – SINGLE PHASE		
US/CANADA ECS-9500-1001: Stainless Steel ECS-9500-1005: Jet Black (RAL 9005)	208/240 VAC, 60 Hz, 30 A Max Input: 6.0 kW* MW: 3.2 kW HTR: 6.0 kW Plug: NEMA 6-30P	
EUROPE (UK) ECS-9500-1013-UK: Stainless Steel ECS-9500-1017-UK: Jet Black (RAL 9005)	230 VAC, 50 Hz, 27 A Max Input: 6.2 kW* MW: 3.2 kW HTR: 6.0 kW Plug: IEC 309, 3-pin	
JAPAN (JK) ECS-9500-1025-JK: Stainless Steel ECS-9500-1029-JK: Jet Black (RAL 9005)	200 VAC, 50 Hz, 30 A Max Input: 6.2 kW* MW: 3.2 kW HTR: 6.0 kW Plug, NEMA L6-50, PSE, 3-blade	



*Continued on next page

**Under normal operation, the oven will not exceed the max input value.

TurboChef recommends installing a type D circuit breaker for European installations.



JAPAN (JK) ECS-9500-1031-JK : Stainless Steel ECS-9500-1035-JK : Jet Black (RAL 9005)	200 VAC, 60 Hz, 30 A Max Input: 6.2 kW* MW: 3.2 kW HTR: 6.0 kW Plug, NEMA L6-50, PSE, 3-blade	
--	--	--

ELECTRICAL SPECIFICATIONS – SINGLE PHASE

BRAZIL (BK) ECS-9500-1037-BK: Stainless Steel ECS-9500-1041-BK: Jet Black (RAL 9005)	220 VAC, 60 Hz, 28 A Max Input: 6.2 kW* MW: 3.2 kW HTR: 6.0 kW Plug: IEC 309, 3-pin	
---	---	--

LATIN AMERICA (LA) - includes cleaner and guard ECS-9500-1049-LA: Stainless Steel ECS-9500-1053-LA: Jet Black (RAL 9005)	220 VAC, 60 Hz, 28 A Max Input: 6.2 kW* MW: 3.2 kW HTR: 6.0 kW Plug: NEMA 6-30P	
LATIN AMERICA (LA) - without cleaner and guard ECS-9500-1055-LA: Stainless Steel ECS-9500-1059-LA: Jet Black (RAL 9005)		

ELECTRICAL SPECIFICATIONS – MULTIPHASE

EUROPE DELTA (ED) ECS-9500-1067-ED: Stainless Steel ECS-9500-1071-ED: Jet Black (RAL 9005)	230 VAC, 50 Hz, 20 A Max Input: 6.2 kW* MW: 3.2 kW HTR: 6.0 kW Plug: IEC 309, 4-pin	
---	---	--

EUROPE WYE (EW) ECS-9500-1007-EW: Stainless Steel ECS-9500-1011-EW: Jet Black (RAL 9005)	400 VAC, 50 Hz, 16 A Max Input: 6.2 kW* MW: 3.2 kW HTR: 6.0 kW Plug: IEC 309, 5-pin	
---	---	--

AUSTRALIA (AU) ECS-9500-1019-AU: Stainless Steel ECS-9500-1023-AU: Jet Black (RAL 9005)	400 VAC, 50 Hz, 16 A Max Input: 6.2 kW* MW: 3.2 kW HTR: 6.0 kW Plug: Clipsal, 5-pin	
--	---	--

JAPAN (JD) ECS-9500-1073-JD: Stainless Steel ECS-9500-1077-JD: Jet Black (RAL 9005)	200 VAC, 50 Hz, 20 A Max Input: 6.2 kW* MW: 3.2 kW HTR: 6.0 kW Plug: NEMA L6-50, PSE, 4-blade	
--	--	--

JAPAN (JD) ECS-9500-1001-JD : Stainless Steel ECS-9500-1005-JD : Jet Black (RAL 9005)	200 VAC, 60 Hz, 20 A Max Input: 6.2 kW* MW: 3.2 kW HTR: 6.0 kW Plug: NEMA L6-50, PSE, 4-blade	
--	--	--

KOREA/MIDDLE EAST WYE (KW) ECS-9500-1061-KW: Stainless Steel ECS-9500-1065-KW: Jet Black (RAL 9005)	400 VAC, 60 Hz, 16 A Max Input: 6.2 kW* MW: 3.2 kW HTR: 6.0 kW Plug: IEC 309, 5-pin	
--	---	--

KOREA/MIDDLE EAST WYE (SD) ECS-9500-1043-SD: Stainless Steel ECS-9500-1047-SD: Jet Black (RAL 9005)	230 VAC, 60 Hz, 20 A Max Input: 6.2 kW* MW: 3.2 kW HTR: 6.0 kW Plug: IEC 309, 4-pin	
--	---	--

SHIPPING INFORMATION

U.S.: All ovens shipped within the U.S. are packaged in a double-wall corrugated box banded to a wooden skid. International: All International ovens shipped via Air or Less than Container Loads are packaged in wooden crates.
Box size: 33" x 24" x 34" (838 mm x 610 mm x 864 mm) Crate size: 33" x 24" x 34" (838 mm x 610 mm x 864 mm) Item class: 110 NMFC #26710 HS code 8419.81
Approximate boxed weight: 168 lb. (76 kg) / Approximate crated weight: 196 lb. (89 kg)
Minimum entry clearance required for box: 34.5" (876 mm) Minimum entry clearance required for crate: 34.5" (876 mm)

* Under normal operation, the oven will not exceed the max input value.

⚠ TurboChef recommends installing a type D circuit breaker for European installations.