



**HOSHIZAKI**

> **IM-65NE**  
> **IM-65NE-25**

daily ice production capacity of up to 63kg



Cube ice is perfectly symmetrical and leaves a good impression with its hard, crystal clear quality that melts very slowly; allowing customers to enjoy their favourite drink longer. The IM series allows more flexibility of application with each range offering ice in variable sizes alongside a design for uncomplicated usage from start to finish.



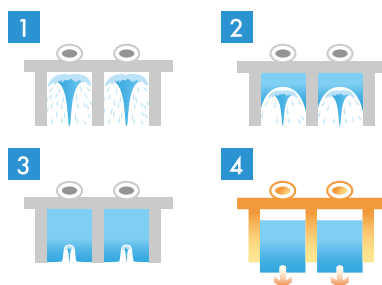
> **IM-65NE**

CUBE ICE MAKER SERIES

**FEATURES**

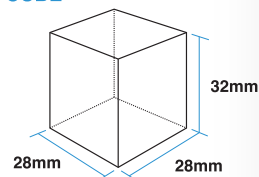
- > smart computer board technology
- > slide-in air filter for easy cleaning
- > LED error indicator for easy diagnosis
- > stainless steel exterior

**UNIQUE ICE PRODUCTION SYSTEM FOR ICE CUBE**

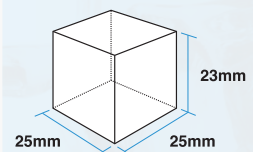


**ICE TYPE & SIZE**

**CUBE**



**IM-65NE**



**IM-65NE-25**

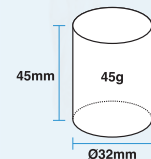
**UPON REQUEST:**

**BALL**



Golf ball ice model available.  
(Model - **IM-65LE-Q**).

**CYLINDER**

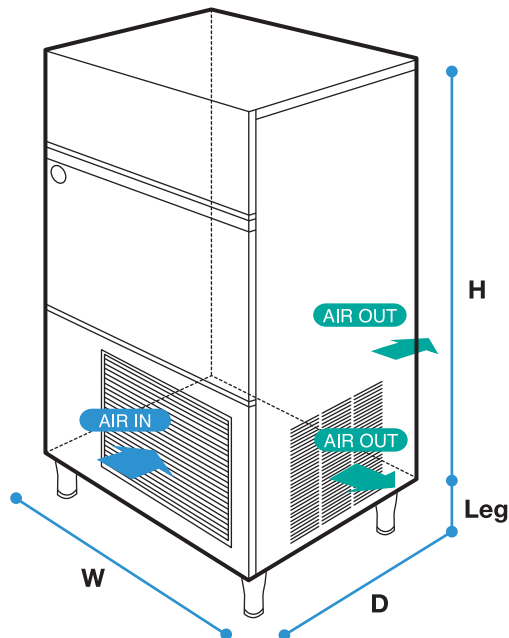


Cylinder ice model available.  
(Model - **IM-65LE-Q**).

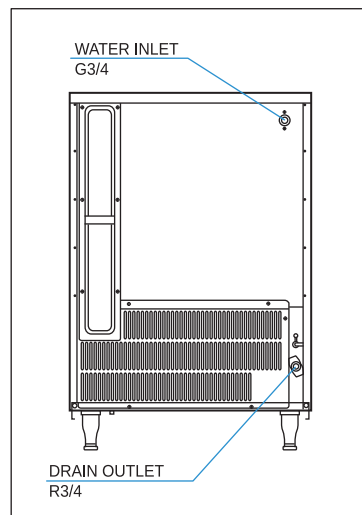


# DIMENSIONS & SPECIFICATION

## CUBE ICE MAKER AIR SYSTEM



## BACK SIDE



MODEL NAME		IM-65NE	IM-65NE-25
ICE DIMENSIONS (MM)		28 x 28 x 32	25 x 25 x 23
DIMENSIONS (MM)		Body : 633 x 506 x 840 / Leg Height : 90-125 mm	
PACKED DIMENSIONS (MM)		740 x 620 x 1035	
WEIGHT (NETT/GROSS)		53 KG / 60 KG	
AMPERAGE / STARTING AMPERAGE		2.9A / 17A	
ELECTRICAL CONSUMPTION		400 W	
REFRIGERANT CHARGE		R134a	
HEAT REJECTION (AT32°C/WT21°C)		800 W (690 kcal/h)	
ICE PRODUCTION PER 24H (15MM)	(AT10°C/WT10°C)	63 KG	56 KG
	(AT21°C/WT15°C)	56 KG	52 KG
	(AT32°C/WT21°C)	46 KG	42 KG
WATER CONSUMPTION PER 24H (AT21°C/WT15°C)		0.14 m <sup>3</sup> 2.5L / 1KG ICE	0.16 m <sup>3</sup> 3.1L / 1KG ICE
ICE PRODUCTION (AT21°C/WT15°C)	FREEZE CYCLE TIME	26 MIN	22 MIN
	PER CYCLE	0.94 KG / 42 PCS	0.72 KG / 56 PCS
STORAGE CAPACITY		26 KG	

**NOTE:** All dimensions indicated are Width x Depth x Height in mm.  
\*60Hz units are available upon request

**OPERATING CONDITIONS:** • Voltage Range: 198V-254V • Ambient Temperature: 1°-40°C  
• Water Supply: 5°-35°C / 0.07-0.8 Mpa / 7.25-116 PSI • AC Supply Voltage: 1/220-240V / 50 Hz

• **WARRANTY:** Two years parts & labour for entire unit, 3<sup>rd</sup> year on compressor only. Excluding door & exterior damages