



Professional reheating system

Link consists of two heating decks. The baking surfaces are made of a specific material, which ensure the perfect heat distribution in all baking areas in order to heat up directly on deck or on tray. Electronic temperature management. Hinged door with tempered crystal glass for the perfect vision of product during heating. Chamber maximum temperature: 280°C (540°F).



OPERATION

- Heating via an armoured resistance element
- Electronic temperature control
- Maximum temperature 280°C (540°F)
- Continuous temperature readings via 2 thermocouples
- Cleaning function

STANDARD ISSUE

- Illumination with 2 lamps

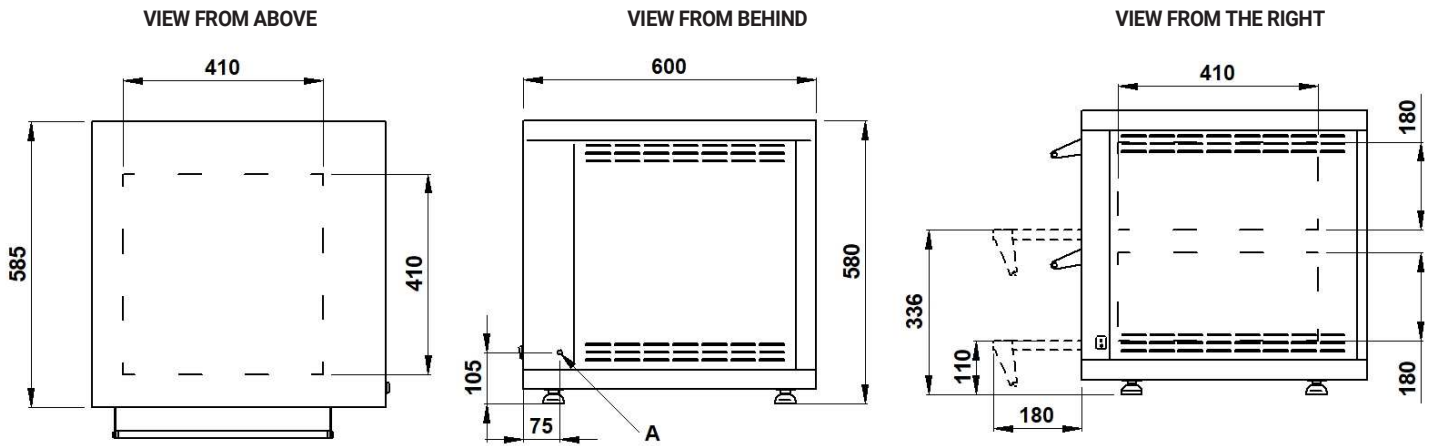
EXTERNAL STRUCTURE

- Front made of folded stainless steel sheets
- Side panels in pre-painted sheet metal
- Bottom hinged stainless steel door
- Tempered glass windows
- Stainless steel handle
- Oven controls set on the front, to the right

INTERNAL STRUCTURE

- Refractory brick heating surface
- Side and top surfaces in aluminized steel
- Mineral wool thermal insulation

Link H



NOTE: The measurements on the schematics are in millimetres.

A			
Electrical cable length 3 meters			

EXTERNAL DIMENSIONS

Ext. height	580mm
Ext. depth	585mm
Ext. width	600mm
Weight	60kg

INTERNAL DIMENSIONS

Int. height	180mm
Int. depth	410mm
Int. width	410mm
Tot. surf area	0.33m ²

SHIPPING INFORMATION

Package dimensions:	
Max height	730mm
Max depth	650mm
Max width	670mm
Weight	(60+10)kg

POWER SUPPLY AND OUTPUT

Standard Power Supply	
A.C. V230 1N	
Frequency	50/60Hz
Max power output	3kW
*Ave hourly cons.	1,5kWh
Connecting cable	
type H07RN-F	
3x1,5mm ² (V230 1N)	

* may vary with differences in the usage of the appliance

NOTE: MORETTI FORNI S.P.A. reserves the right to modify the characteristics of the products presented in this publication without advance notice