



HOSHIZAKI

> **FM-1000AKE**
(With Hoshizaki Storage Bin - **B-501SA**)



> **FM-750AKE**

daily ice production capacity of up to 750kg

> **FM-1000AKE**

daily ice production capacity of up to 1000kg



Aside for drinks, ice is important for preservation purposes. Hoshizaki's FM ice machines produce flakes consisting of 70% ice and 30% water, used primarily for cooling purposes and has no 'freeze-burn' effect when displaying fresh produce. It is also used in large facilities such as healthcare, catering, supermarket chains or even cocktail bars.



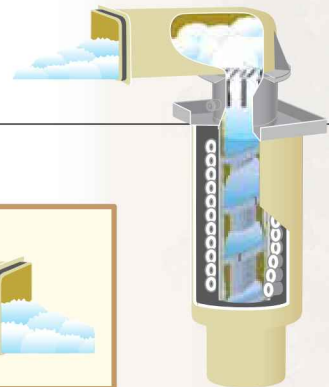
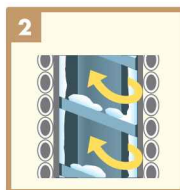
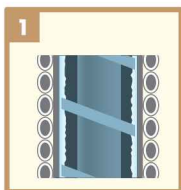
> **FM-750AKE**

FLAKE ICE MAKER SERIES

FEATURES

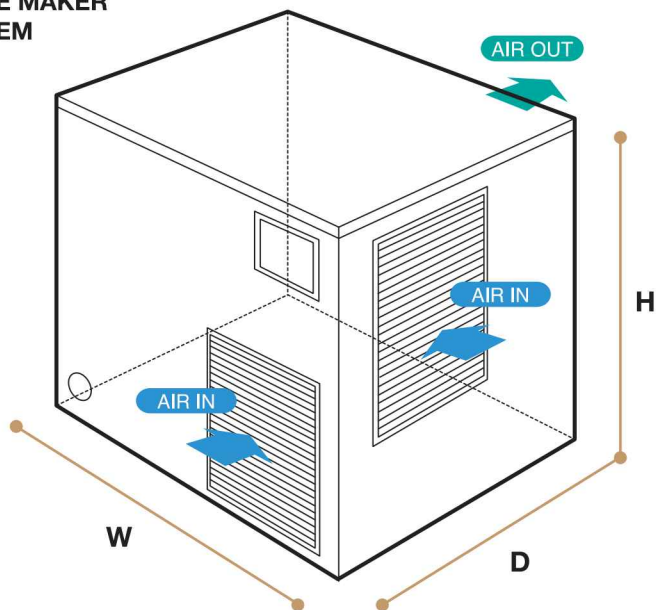
- > carbon auger bearings enhances product life expectancy, reduces maintenance cost
- > hydrocarbon refrigerants lowers energy consumption
- > 100% hfc free co2 foam insulation maintains consistent temperature
- > smart computer board technology
- > stainless steel exterior
- > led error indicator for easy diagnosis

UNIQUE ICE PRODUCTION SYSTEM

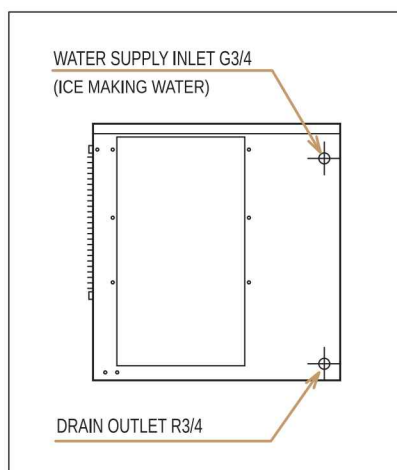


DIMENSIONS & SPECIFICATION

FLAKE ICE MAKER AIR SYSTEM



BACK SIDE



MODEL NAME	FM-750AKE	FM-1000AKE-N
ICE SHAPE	Flake	
DIMENSIONS (MM)	762 x 700 x 780	
PACKED DIMENSIONS (MM)	895 x 875 x 965	
WEIGHT (NETT/GROSS)	133 KG / 143 KG	146 KG / 156 KG
AMPERAGE / STARTING AMPERAGE	9.2A / 43A	12.3A / 76A
ELECTRICAL CONSUMPTION	1880 KG	2490 KG
REFRIGERANT CHARGE	R404a	
HEAT REJECTION	3650 W (3138 kcal/h)	4470 W (3843 kcal/h)
ICE PRODUCTION PER 24H (15MM)	(AT10°C/WT10°C)	750 KG
	(AT21°C/WT15°C)	650 KG
	(AT32°C/WT21°C)	530 KG
WATER CONSUMPTION PER 24H (AT21°C/WT15°C)	0.68 m ³	0.9 m ³
	1L / 1KG ICE	1L / 1KG ICE

NOTE: All dimensions indicated are Width x Depth x Height in mm.

OPERATING CONDITIONS: • Voltage Range: 198V-254V • Ambient Temperature: 1°-40°C
• Water Supply: 5°-35°C / 0.05-0.8 Mpa / 7.25-116 PSI • AC Supply Voltage: 1/220-240V / 50 Hz

• **WARRANTY:** Two years parts & labour for entire unit, 3rd year on compressor only. Excluding door & exterior damages