



HOSHIZAKI

> **IM-30CNE**
> **IM-30CNE-25**

daily ice production capacity of up to 28kg



Cube ice is perfectly symmetrical and leaves a good impression with its hard, crystal clear quality that melts very slowly; allowing customers to enjoy their favourite drink longer. The IM series allows more flexibility of application with each range offering ice in variable sizes alongside a design for uncomplicated usage from start to finish.



> **IM-30CNE**

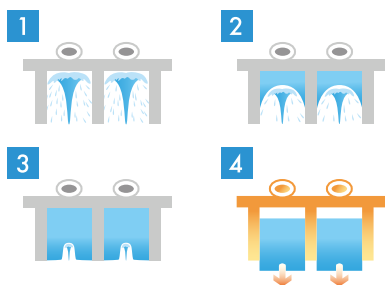
CUBE ICE MAKER SERIES

FEATURES

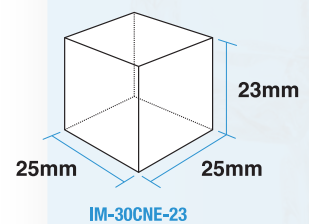
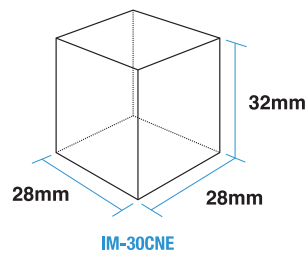
- > smart computer board technology
- > slide-in air filter for easy cleaning
- > LED error indicator for easy diagnosis
- > stainless steel exterior



UNIQUE ICE PRODUCTION SYSTEM

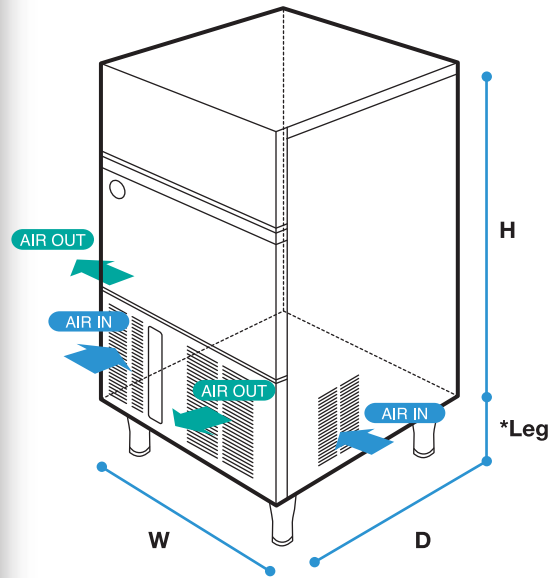


ICE SIZE

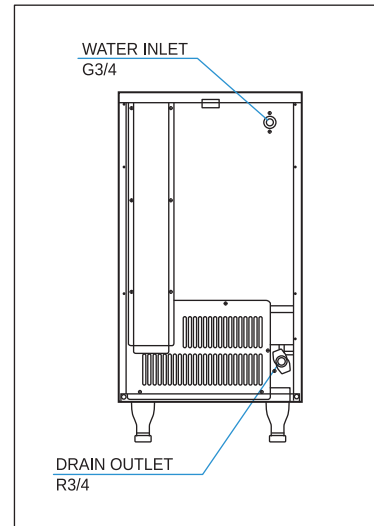


DIMENSIONS & SPECIFICATION

CUBE ICE MAKER AIR SYSTEM



BACK SIDE



| MODEL NAME | | IM-30CNE | IM-30CNE-25 |
|---|-------------------|---|---------------------|
| ICE DIMENSIONS (MM) | | 28 x 28 x 32 | 25 x 25 x 23 |
| DIMENSIONS (MM) | | Body : 398 x 446 x 695 / Leg Height : 90-125 mm | |
| PACKED DIMENSIONS (MM) | | 505 x 575 x 879 | |
| WEIGHT (NETT/GROSS) | | 34 KG / 38 KG | |
| AMPERAGE / STARTING AMPERAGE | | 1.7A / 10A | |
| ELECTRICAL CONSUMPTION | | 270 W | |
| REFRIGERANT CHARGE | | R134a | |
| HEAT REJECTION (AT32°C/WT21°C) | | 430 W (370 kcal/h) | |
| ICE PRODUCTION PER 24H (15MM) | (AT10°C/WT10°C) | 28 KG | 24 KG |
| | (AT21°C/WT15°C) | 24 KG | 20 KG |
| | (AT32°C/WT21°C) | 19 KG | 17 KG |
| WATER CONSUMPTION PER 24H (AT21°C/WT15°C) | | 0.06 m ³ | 0.07 m ³ |
| | | 2.5L / 1KG ICE | 3.5L / 1KG ICE |
| ICE PRODUCTION (AT21°C/WT15°C) | FREEZE CYCLE TIME | 24 MIN | 19 MIN |
| | PER CYCLE | 0.4 KG / 18 PCS | 0.27 KG / 21 PCS |
| STORAGE CAPACITY | | 11.5 KG | |

NOTE: All dimensions indicated are Width x Depth x Height in mm.
*60Hz units are available upon request

OPERATING CONDITIONS: • Voltage Range: 198V-254V • Ambient Temperature: 1°-40°C
• Water Supply: 5°-35°C / 0.07-0.8 Mpa / 7.25-116 PSI • AC Supply Voltage: 1/220-240V / 50 Hz

• **WARRANTY:** Two years parts & labour for entire unit, 3rd year on compressor only. Excluding door & exterior damages