



**HOSHIZAKI**

> **IM-45CNE**  
> **IM-45CNE-25**

daily ice production capacity of up to 44kg



Cube ice is perfectly symmetrical and leaves a good impression with its hard, crystal clear quality that melts very slowly; allowing customers to enjoy their favourite drink longer. The IM series allows more flexibility of application with each range offering ice in variable sizes alongside a design for uncomplicated usage from start to finish.



> **IM-45CNE**

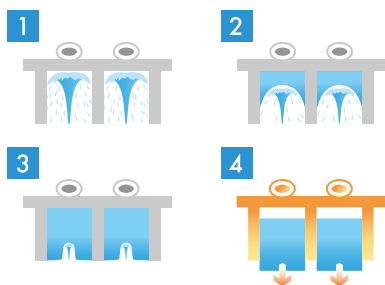
CUBE ICE MAKER SERIES

## FEATURES

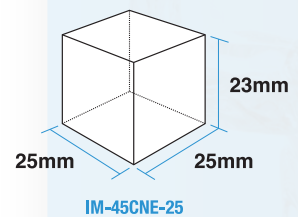
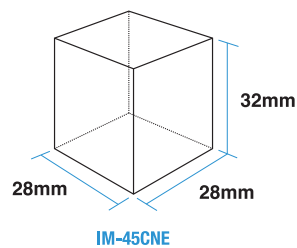
- > smart computer board technology
- > slide-in air filter for easy cleaning
- > LED error indicator for easy diagnosis
- > stainless steel exterior



## UNIQUE ICE PRODUCTION SYSTEM

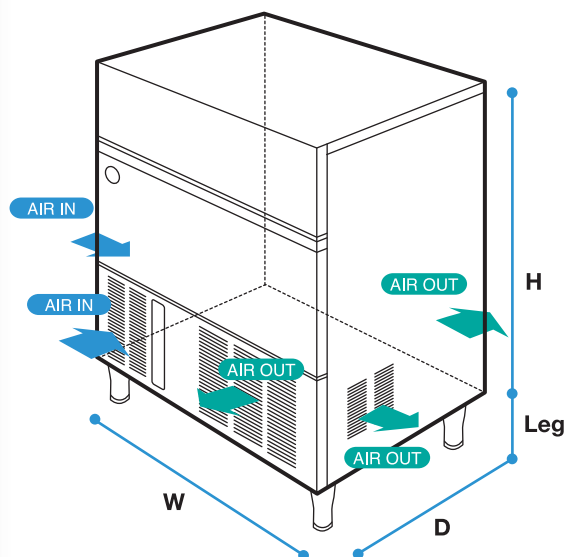


## ICE SIZE

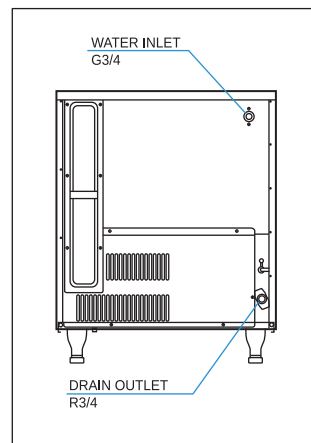


# DIMENSIONS & SPECIFICATION

## CUBE ICE MAKER AIR SYSTEM



## BACK SIDE



MODEL NAME		IM-45CNE	IM-45CNE-25
ICE DIMENSIONS (MM)		28 x 28 x 32	25 x 25 x 23
DIMENSIONS (MM)		Body : 633 x 506 x 780 / Leg Height : 90-125 mm	
PACKED DIMENSIONS (MM)		740 x 620 x 890	
WEIGHT (NETT/GROSS)		48 KG / 55 KG	
AMPERAGE / STARTING AMPERAGE		2.4A / 13A	
ELECTRICAL CONSUMPTION		320 W	330 W
REFRIGERANT CHARGE		R134a	
HEAT REJECTION (AT32°C/WT21°C)		640 W (550 kcal/h)	
ICE PRODUCTION PER 24H (15MM)	(AT10°C/WT10°C)	44 KG	39 KG
	(AT21°C/WT15°C)	40 KG	35 KG
	(AT32°C/WT21°C)	32 KG	28 KG
WATER CONSUMPTION PER 24H (AT21°C/WT15°C)		0.10 m <sup>3</sup>	0.12 m <sup>3</sup>
		2.5L / 1KG ICE	3.4L / 1KG ICE
ICE PRODUCTION (AT21°C/WT15°C)	FREEZE CYCLE TIME	28 MIN	22 MIN
	PER CYCLE	0.67 KG / 30 PCS	0.55 KG / 42 PCS
STORAGE CAPACITY		15 KG	

**NOTE:** All dimensions indicated are Width x Depth x Height in mm.  
\*60Hz units are available upon request

**OPERATING CONDITIONS:** • Voltage Range: 198V-254V • Ambient Temperature: 1°-40°C  
• Water Supply: 5°-35°C / 0.07-0.8 Mpa / 7.25-116 PSI • AC Supply Voltage: 1/220-240V / 50 Hz

• **WARRANTY:** Two years parts & labour for entire unit, 3<sup>rd</sup> year on compressor only. Excluding door & exterior damages