

CWA-TC,CE 16A/250V PF W/PWR CRD EURO

Height: 24.1" (61.2cm) Width: 9.0" (22.9cm) Depth: 20.4" (51.8cm)



- Models are space saving 9" wide (22.9cm)
- Accepts thermal carafe up to 8.5" (21.6 cm) tall
- All stainless steel construction
- Pourover brewer requires no plumbing – completely portable
- Pourover feature
- SplashGard® funnel deflects hot liquids away from the hand
- Use in quick turn environments where high quality coffee is continuously refreshed
- Servers not included unless otherwise noted

Server(s) sold separately

Agency:



Specifications

Product #: 23001.0105

Water Access: Not Plumbed

Finish: Stainless

Funnel: Black Plastic

Additional Features

Electrical & Capacity

Volts*	Amps	Watts	Cord Attached	Plug Type	8oz cups/hr 236ml cups/hr	Input H ₂ O Temp.	Phase	# Wires plus Ground	Hertz
220-240	8.6-9.5	1900-2300	Yes	EURO 16A	86	60°F (15.5°C)	1	2	50-60

*When a BUNN is machine rated 120/208-240V, 120/208V or 120/240V, the higher voltage is the supply voltage needed to power the machine. The 120V is there to supply power to some components rated 120V in the machine, but it is not the supply voltage and would not power the machine if the machine is marked with the before mentioned ratings.

Plumbing Requirements

PSI	kPa	Fitting Supplied	Water Flow Required (GPM)
-	-	-	-

CAD Drawings

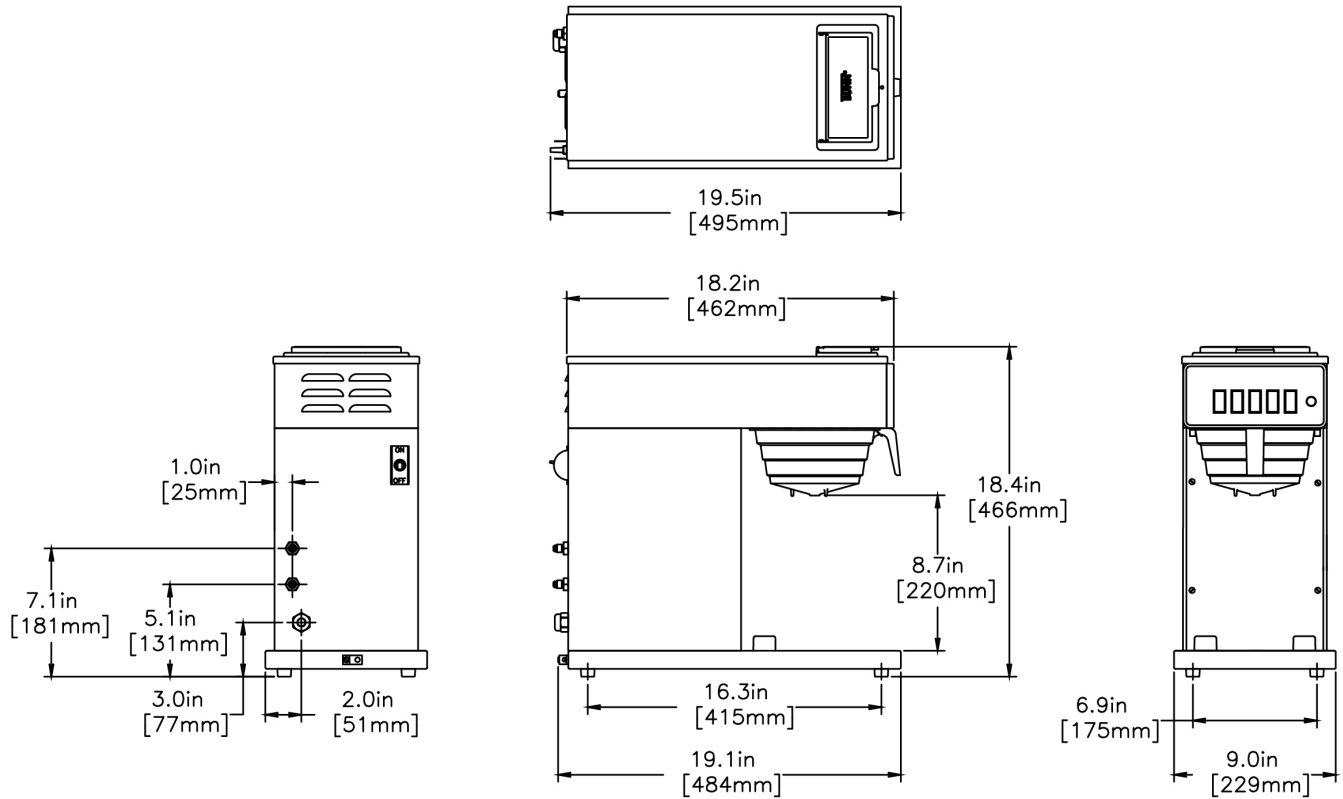
2D	Revit	KLC
●		

WARNING:



BUNN® reserves the right to change specifications and product design without notice. Such revisions do not entitle the buyer to corresponding changes, improvements, additions or replacements for previously purchased equipment. For most current specifications and other info visit bunn.com.

Last Updated:
08/31/2023



	Unit			Shipping				
	Height	Width	Depth	Height	Width	Depth	Weight	Volume
English	24.1 in.	9.0 in.	20.4 in.	24.8 in.	11.9 in.	25.9 in.	37.150 lbs	4.401 ft ³
Metric	61.2 cm	22.9 cm	51.8 cm	62.9 cm	30.2 cm	65.7 cm	16.851 kgs	0.125 m ³



BUNN® reserves the right to change specifications and product design without notice. Such revisions do not entitle the buyer to corresponding changes, improvements, additions or replacements for previously purchased equipment. For most current specifications and other info visit bunn.com.

Last Updated:
08/31/2023

Related Products & Accessories: CWA-TC,CE 16A/250V PF W/PWR CRD EURO
(23001.0105)



FUNNEL W/DECAL,PPK
NAR BLK(SM)

Product #: 02774.0011



FUNNEL W/DECAL,PPK
NAR BLK(LG)

Product #: 04274.0012



FILTERS,REGULAR1M
500/2 50/CL

Product #: 20115.0000



FUNNEL ASSY, SST-BLK
HDL(7.12)

Product #: 20216.0000



FUNNEL ASSY, SST-PP
BLK HNDL

Product #: 29151.0000



FUNNEL ASSY,SST-PP
ORANGE HDL

Product #: 29151.0001



WATER FILTER
SYSTEM,EQ-17-TL

Product #: 30200.1000



SYSTEM, WEQ-10(1.5)5L

Product #: 56000.0024



CARTRIDGE, WEQ-10
(1.5)5L

Product #: 56000.0121



CARTRIDGE, WEQ-10.3
(1.67)5L

Product #: 56000.0137



BUNN® reserves the right to change specifications and product design without notice. Such revisions do not entitle the buyer to corresponding changes, improvements, additions or replacements for previously purchased equipment. For most current specifications and other info visit bunn.com.

Last Updated:
08/31/2023

Serving & Holding Options: CWA-TC,CE 16A/250V PF W/PWR CRD EURO(23001.0105)



THERMAL CARAFE, BLK
1.9L 12PK

Product #:36029.0000



THERMAL CARAFE, BLK
1.83 L 1PK

Product #:36029.0001



THERMAL CARAFE,ORN
1.9L 12PK

Product #:36252.0000



THERMAL CARAFE,ORN
1.9L 1PK

Product #:36252.0001



CARAFE,SST 1.9L SHRT
BLK 1

Product #:40163.0000



BUNN® reserves the right to change specifications and product design without notice. Such revisions do not entitle the buyer to corresponding changes, improvements, additions or replacements for previously purchased equipment. For most current specifications and other info visit bunn.com.

Last Updated:
08/31/2023