

# NITRON® Gas Module 220-240V CE UK Plug

Height: 4.7" (11.9cm) Width: 8.3" (21.1cm) Depth: 14.6" (37.1cm)



- Compact, space-saving design produces its own unlimited supply of gas for up to two Nitron dispensers, eliminating the need for high-pressure tanks and nitrogen generators
- The Gas Module features integrated multi-stage FDA-compliant filters to remove impurities and moisture from the air
- Compatible with all Nitron Cold Draft dispensers, the modular unit can be installed under or next to the machine or beneath the counter in a cabinet. Its modular design works with new and existing Nitron dispensers already in service
- 220-240V with UK plug for easy set-up and includes 8-feet of gas line with 1/4" female flare fitting (washer included) for quick connection to the Nitron dispenser
- Supports up to two Nitron dispensers
- System design allows for quick access to internal components for ease of service, with just a few hand tools
- PM frequency to replace the internal air filters requires annual schedule with 1 Nitron dispenser and every 6 months when connected to 2 Nitron dispensers

Agency:



## Specifications

Product #: 55660.0002

Finish: Black

## Additional Features

## Electrical & Capacity

Volts*	Amps	Watts	Cord Attached	Plug Type	8oz cups/hr 236ml cups/hr	Input H <sub>2</sub> O Temp.	Phase	# Wires plus Ground	Hertz
220-240	0.70-0.80	160-190	Yes	UK 13A	-	60°F (15.5°C)	1	2	50-60

\*When a BUNN is machine rated 120/208-240V, 120/208V or 120/240V, the higher voltage is the supply voltage needed to power the machine. The 120V is there to supply power to some components rated 120V in the machine, but it is not the supply voltage and would not power the machine if the machine is marked with the before mentioned ratings.

## Plumbing Requirements

PSI	kPa	Fitting Supplied	Water Flow Required (GPM)
-	-	-	-

## CAD Drawings

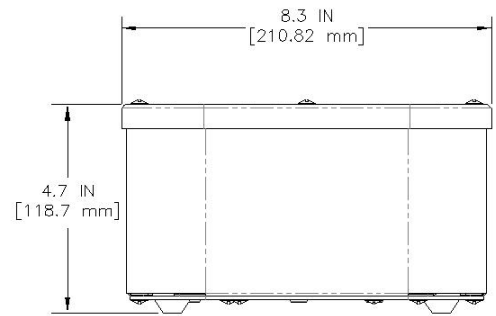
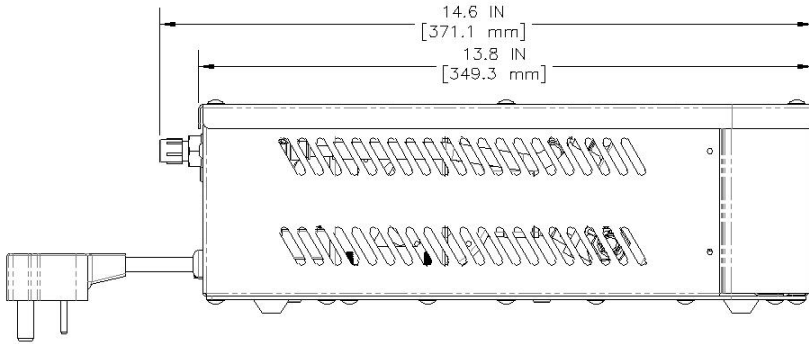
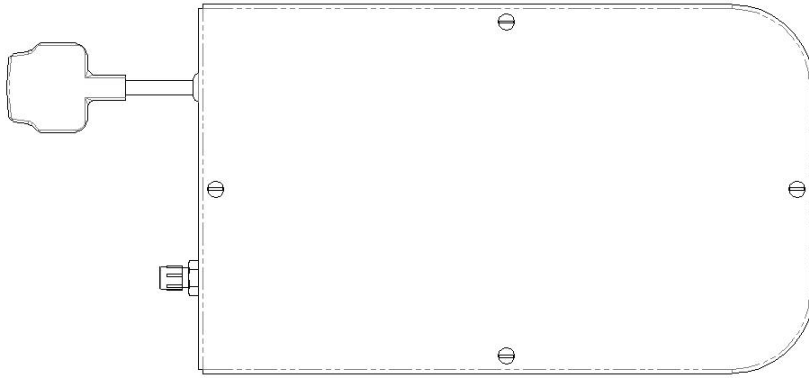
2D	Revit	KLC
●		

**WARNING:**



BUNN® reserves the right to change specifications and product design without notice. Such revisions do not entitle the buyer to corresponding changes, improvements, additions or replacements for previously purchased equipment. For most current specifications and other info visit [bunn.com](http://bunn.com).

Last Updated:  
08/05/2023



	Unit			Shipping				
	Height	Width	Depth	Height	Width	Depth	Weight	Volume
English	4.7 in.	8.3 in.	14.6 in.	6.6 in.	6.8 in.	9.0 in.	17.500 lbs	0.233 ft <sup>3</sup>
Metric	11.9 cm	21.1 cm	37.1 cm	16.8 cm	17.1 cm	22.9 cm	7.938 kgs	0.007 m <sup>3</sup>



BUNN® reserves the right to change specifications and product design without notice. Such revisions do not entitle the buyer to corresponding changes, improvements, additions or replacements for previously purchased equipment. For most current specifications and other info visit [bunn.com](http://bunn.com).

Last Updated:  
08/05/2023

Related Products & Accessories: NITRON® Gas Module 220-240V CE UK Plug  
(55660.0002)



NITRON, 230V UK  
NITRON-2 SR ALL BLK  
DR

Product #: 51600.0025



BUNN® reserves the right to change specifications and product design without notice. Such revisions do not entitle the buyer to corresponding changes, improvements, additions or replacements for previously purchased equipment. For most current specifications and other info visit [bunn.com](http://bunn.com).

Last Updated:  
08/05/2023

# Serving & Holding Options: NITRON® Gas Module 220-240V CE UK Plug(55660.0002)

\*Serving and Holding selections are currently unavailable. Please contact your sales representative to find out more information.\*



BUNN® reserves the right to change specifications and product design without notice. Such revisions do not entitle the buyer to corresponding changes, improvements, additions or replacements for previously purchased equipment. For most current specifications and other info visit [bunn.com](http://bunn.com).

Last Updated:  
08/05/2023