



HOSHIZAKI

- > **IM-100NE**
- > **IM-100NE-21**
- > **IM-100NE-23**

daily ice production capacity of up to 98kg



Cube ice is perfectly symmetrical and leaves a good impression with its hard, crystal clear quality that melts very slowly; allowing customers to enjoy their favourite drink longer. The IM series allows more flexibility of application with each range offering ice in variable sizes alongside a design for uncomplicated usage from start to finish.



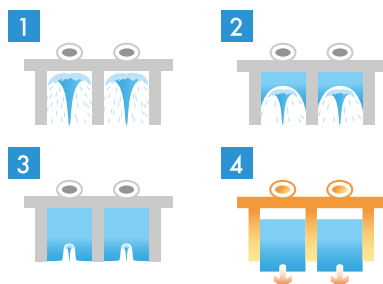
> **IM-100NE**

CUBE ICE MAKER SERIES

FEATURES

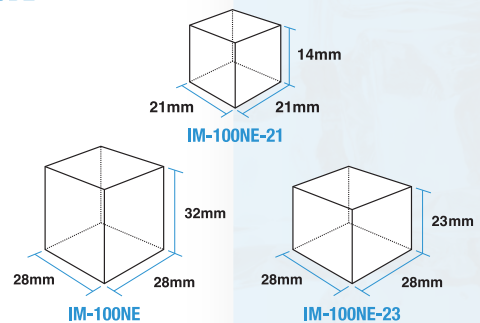
- > smart computer board technology
- > slide-in air filter for easy cleaning
- > stainless steel exterior

UNIQUE ICE PRODUCTION SYSTEM FOR ICE CUBE

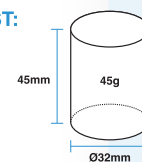


ICE TYPE & SIZE

CUBE



UPON REQUEST:

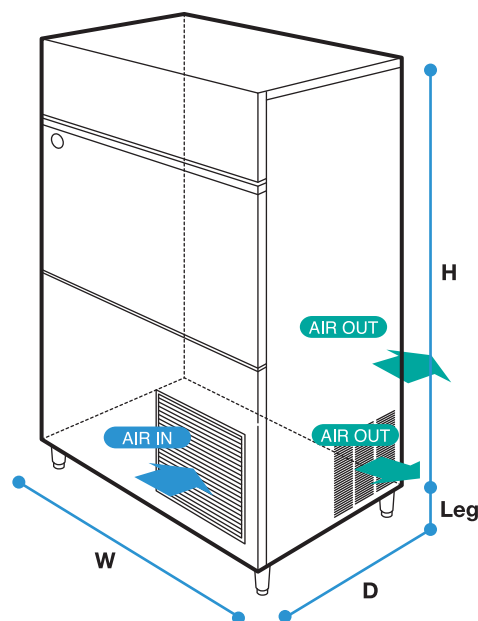


Cylinder ice model is available. (Model - **IM-100LE-C**).

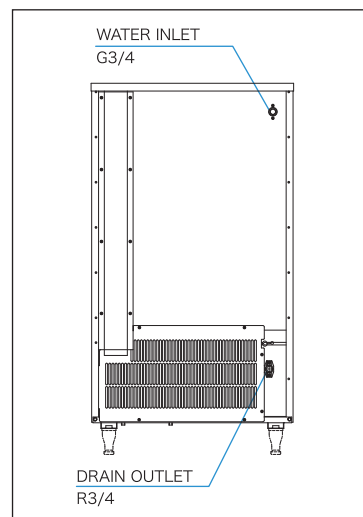


DIMENSIONS & SPECIFICATION

CUBE ICE MAKER AIR SYSTEM



BACK SIDE



MODEL NAME	IM-100NE	IM-100NE-21	IM-100NE-23	
ICE DIMENSIONS (MM)	28 x 28 x 32	21 x 21 x 14	28 x 28 x 23	
DIMENSIONS (MM)	Body : 704 x 506 x 1290 / Leg Height : 90-130 mm			
PACKED DIMENSIONS (MM)	830 x 620 x 1395			
WEIGHT (NETT/GROSS)	76 KG / 84 KG			
AMPERAGE / STARTING AMPERAGE	4.1A / 19A			
ELECTRICAL CONSUMPTION	630 W			
REFRIGERANT CHARGE	R134a			
HEAT REJECTION (AT32°C/WT21°C)	1180 W (1015 kcal/h)			
ICE PRODUCTION PER 24H (15MM)	(AT10°C/WT10°C)	95 KG	98 KG	79 KG
	(AT21°C/WT15°C)	93 KG	95 KG	77 KG
	(AT32°C/WT21°C)	84 KG	87 KG	70 KG
WATER CONSUMPTION PER 24H (AT21°C/WT15°C)	0.21 m ³	0.33 m ³	0.24 m ³	
	4.5L / 1KG ICE	6.8L / 1KG ICE	5.6L / 1KG ICE	
ICE PRODUCTION (AT21°C/WT15°C)	FREEZE CYCLE TIME	28 MIN	16 MIN	23 MIN
	PER CYCLE	1.8 KG / 80 PCS	1.15 KG / 190 PCS	1.3 KG / 80 PCS
STORAGE CAPACITY	50 KG			

NOTE: All dimensions indicated are Width x Depth x Height in mm.
*60Hz units are available upon request

OPERATING CONDITIONS: • Voltage Range: 198V-254V • Ambient Temperature: 1°-40°C
• Water Supply: 5°-35°C / 0.07-0.8 Mpa / 7.25-116 PSI • AC Supply Voltage: 1/220-240V / 50 Hz

• **WARRANTY:** Two years parts & labour for entire unit, 3rd year on compressor only. Excluding door & exterior damages