



HOSHIZAKI

UNDERCOUNTER SLIDING GLASS DOOR REFRIGERATOR

RT-126MA-SSG

A-FIT cabinets are designed to show outstanding performance and durability backed by Hoshizaki's many years of experience and high-quality standard. The cabinets combine ergonomic design with high functionality and strong cooling capacity to meet customer high expectations.



KEY FEATURES

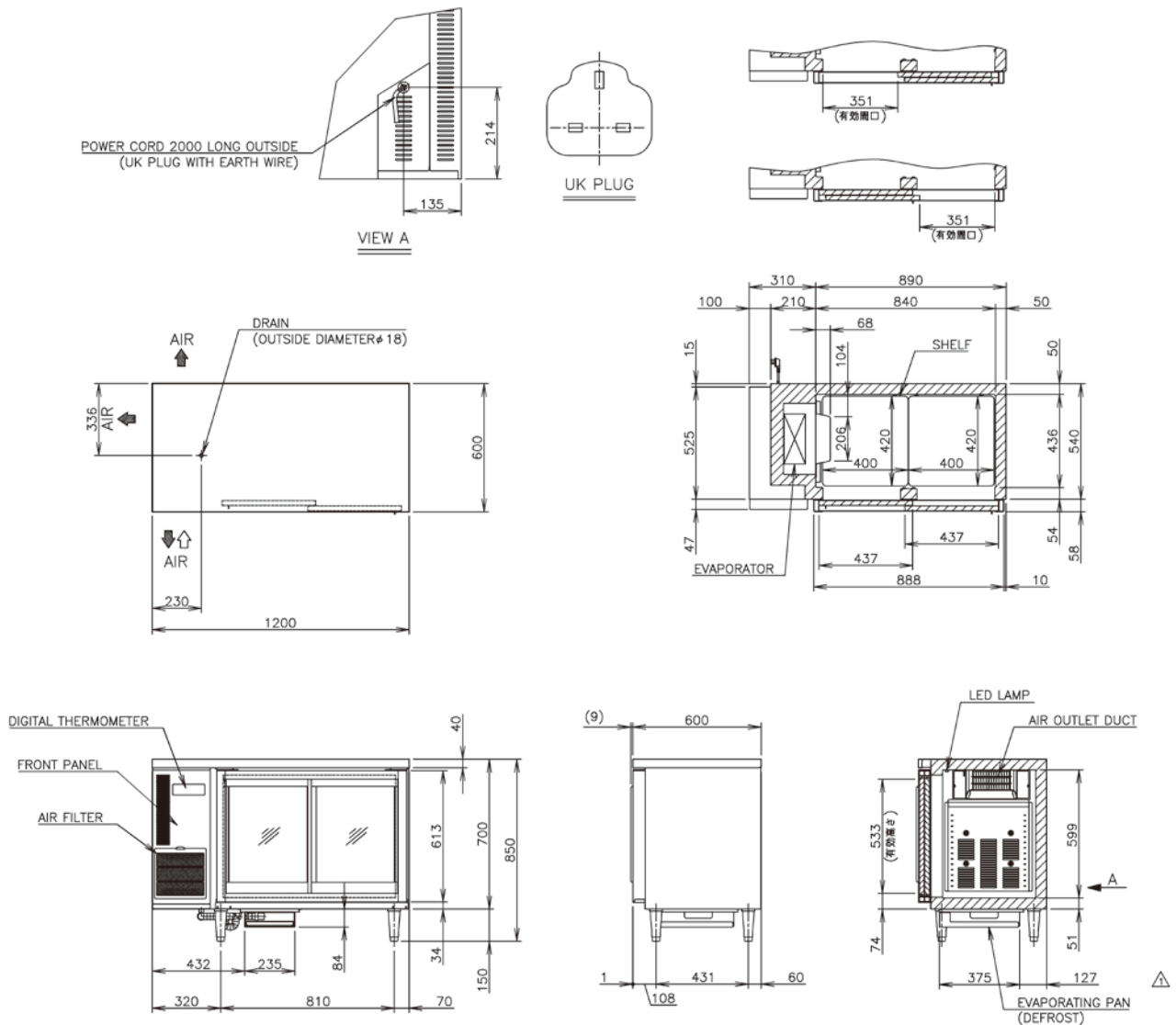
- > Low-E glass with argon gas for better heat insulation
- > Requires less space compared to a swing door design
- > Enhanced cooling capacity with larger evaporator and stronger cooling fan
- > Ergonomic full-height door
- > HACCP complied design
- > Forced evaporation system
- > Smart auto-defrost system
- > LED interior lighting

CERTIFICATION



DIMENSIONS & SPECIFICATION

RT-126MA-SSG



MODEL	RT-126MA-SSG
TEMP. CONTROL	-2 to 12°C
EFFECTIVE CAPACITY	231 L
WEIGHT	Net : 82 kg (Gross : Approx. 87 kg)
OUTSIDE DIMENSIONS W x D x H (mm)	1200 x 600 x 850 (-880)
PACKAGE W x D x H (mm)	1265 x 680 x 790
POWER SUPPLY	1 Phase 220 - 240V 50Hz Capacity: 0.50kVA (2.27A)
ELECTRIC CONSUMPTION	Motor: 238 W Heater: 78 W Refrigeration: 295 W Defrost: 78 W
AMPERAGE	Rated: 2.0A
SHELF	4 pcs.
OPERATING CONDITION	Ambient Temperature: 5 - 38°C Voltage Range: Rated Voltage ±6%

We reserve the right to make changes in specification and design without prior notice. WWW.HOSHIZAKI.COM

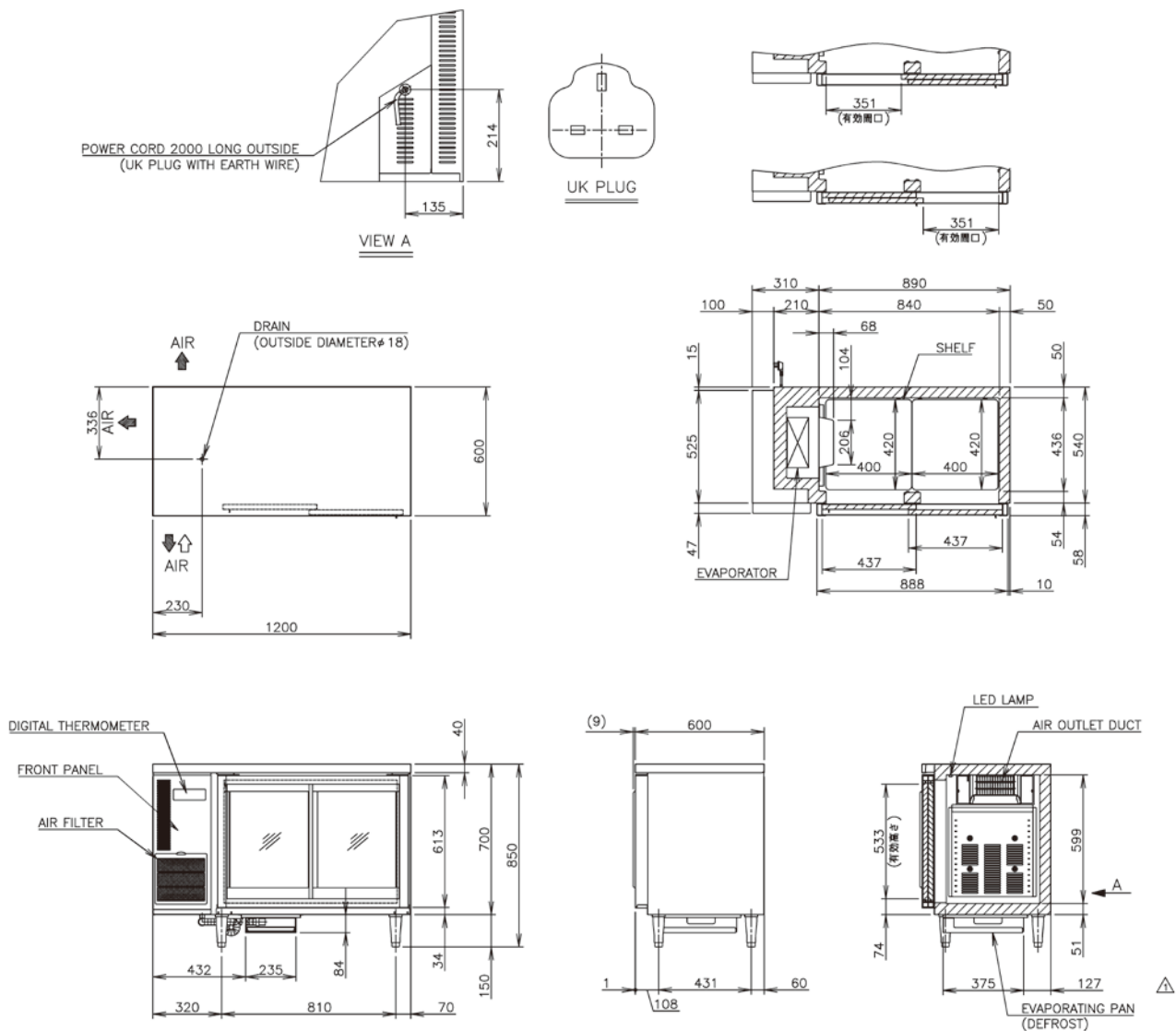


HOSHIZAKI

18 Boon Lay Way #01-102 Tradehub 21, 609966
TEL 6225 2612 FAX 6225 3219 www.hoshizaki.com.sg

DIMENSIONS & SPECIFICATION

RT-126MA-SSG



MODEL	RT-126MA-SSG
TEMP. CONTROL	-2 to 12°C
EFFECTIVE CAPACITY	231 L
WEIGHT	Net : 82 kg (Gross : Approx. 87 kg)
OUTSIDE DIMENSIONS W x D x H (mm)	1200 x 600 x 850 (-880)
PACKAGE W x D x H (mm)	1265 x 680 x 790
POWER SUPPLY	1 Phase 220 - 240V 50Hz Capacity: 0.50kVA (2.27A)
ELECTRIC CONSUMPTION	Motor: 238 W Heater: 78 W Refrigeration: 295 W Defrost: 78 W
AMPERAGE	Rated: 2.0A
SHELF	4 pcs.
OPERATING CONDITION	Ambient Temperature: 5 - 38°C Voltage Range: Rated Voltage ±6%

We reserve the right to make changes in specification and design without prior notice. WWW.HOSHIZAKI.COM



HOSHIZAKI