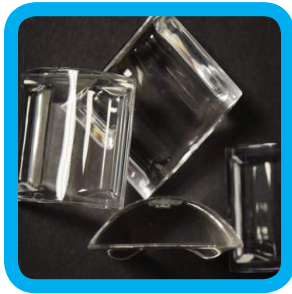




HOSHIZAKI

> KMD-270AB

Daily ice production capacity up to 275 KG



This KM series ice maker produces clear, crescent shaped ice that is extremely versatile. It includes a double-sided stainless steel evaporator, which requires fewer cycles to produce a full bin of ice, thereby reducing energy consumption.



> Picture with Ice bin B-301SA

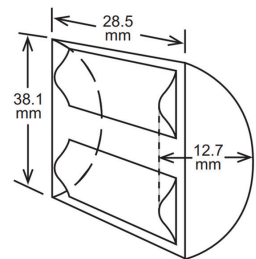
CRESCENT ICE MAKER SERIES

FEATURES

- > Individual premium crescent cube with no ice bridging.
- > Exceptionally hard crystal clear cubes that melt slowly.
- > Slide in air filter at front for easy cleaning maintaining performance efficiency.
- > Double-sided stainless steel evaporator for all water conditions produces more ice in less cycles.
- > Snap in water tank design - easy to remove for sanitization.
- > Durable stainless steel exterior.
- > Low water electrical consumption.
- > Flush mount to rear wall.
- > Good in hard water areas.



ICE SIZE

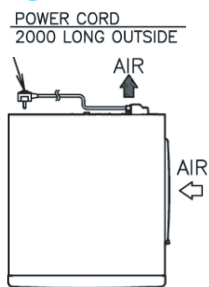


CERTIFICATION

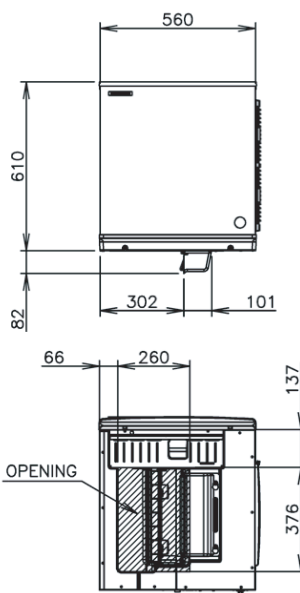


DIMENSIONS & SPECIFICATION

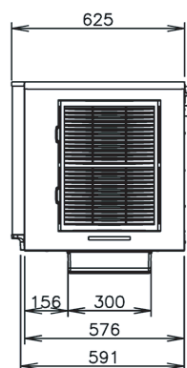
TOP SIDE



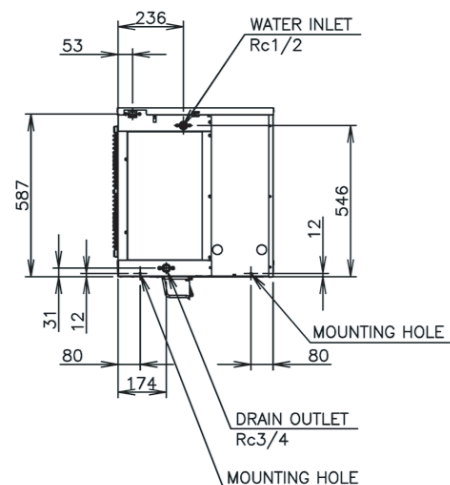
FRONT SIDE



RIGHT SIDE



BACK SIDE



BOTTOM SIDE

KMD-270AB		
ICE DIMENSIONS (WxDxH)	38.1 x 28.5 x 12.7 mm	
DIMENSIONS (WxDxH)	560 x 625 x 610 mm	
PACKAGE DIMENSIONS (WxDxH)	668 x 727 x 783 mm	
WEIGHT (NET/GROSS)	57 KG / 73 KG	
AMPERAGE / STARTING AMPERAGE	4.9A / 24A	
ELECTRICAL CONSUMPTION	984 W	
REFRIGERANT CHARGE	R404A / 780g	
HEAT REJECTION (AT32°C/WT21°C)	2435 W (2094 kcal/h)	
ICE PRODUCTION PER 24H (15MM)	(AT10°C/WT10°C)	275 KG
	(AT21°C/WT15°C)	255 KG
	(AT32°C/WT21°C)	221 KG
ICE PRODUCTION PER CYCLE (AT32°C/WT21°C)	Approx. 5.3 KG / 572 pcs FREEZE CYCLE TIME PER CYCLE 33 minutes	
WATER CONSUMPTION PER 24H (AT32°C/WT21°C)	0.33 m ³ ≈ 1.5 L / 1 KG ice	

NOTE:

All dimensions indicated are Width x Depth x Height in mm
*60Hz units are available on request

OPERATING CONDITIONS:

• Voltage Range: 198V-254V • Ambient Temperature: 7°- 40°C • Water Supply: 7°- 35°C / 0.07-0.8 Mpa / 7.25-116 PSI • AC Supply Voltage: 1/220-240V / 50Hz