

Egg Station Mini | ESM-600



PERFECTLY COOKED EGGS MADE-TO-ORDER

The Egg Station Mini (ESM-600) makes it easy to quickly serve fresh, made-to-order eggs all day. With a footprint smaller than any other available Egg Station and interchangeable egg rack configurations, this ventless unit allows operators to move eggs, omelets, and scrambles off the grill while requiring very little additional space in the kitchen.

Using a combination of heat from the grill surface and steam, the unit cooks perfectly moist eggs in only a matter of minutes. No hassle, no guesswork. The heated grill surface cooks the eggs while the rings give the product its shape. Steam is created under the cover that is lowered over the rings. As water is poured into the trough on the cover, it drips down onto the platen, which produces steam to keep the eggs moist and accelerate the cooking process.



Easy-to-use Buttons

Bilingual label (English/French) on control panel with color-coded buttons.



High Capacity

Cooks a maximum of six round eggs.



Small Footprint

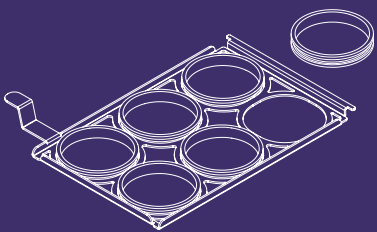
Small footprint to easily fit into any operation.

**Serve perfectly cooked eggs made-to-order
from the smallest footprint in your kitchen.**

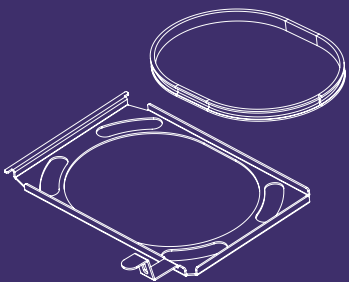
ESM-600 Egg Station Mini



COOKING TIMES



Six 3-inch Round Eggs
 Room temperature - 120 seconds
 Refrigerated - 150 seconds



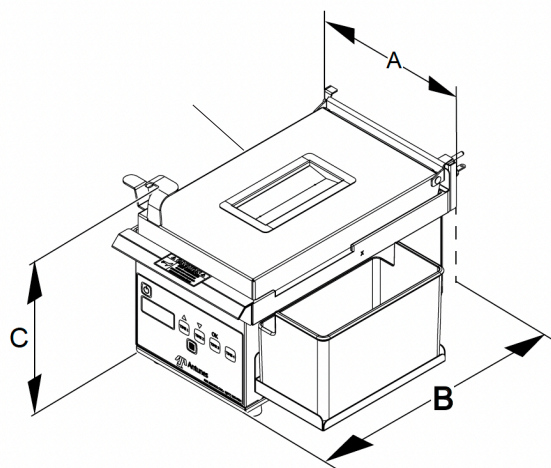
One 8-inch Omelet
 Room temperature - 120 seconds
 Refrigerated - 150 seconds



The base unit features an easily interchangeable rack and cover assembly for round eggs or omelets.

Egg station sold without rings, racks, and covers. These must be purchased separately.

Egg Station Mini | ESM-600



Features:

- Small footprint to easily fit into any operation.
- 120V / 15A cord plugs into basic electrical outlets for easy movement to any kitchen countertop.
- Moves eggs off the grill to eliminate potential for cross-contamination.
- Cooks a maximum of six round eggs.
- No hoods or vents required for operation.
- Easy to clean.
- Four adjustable legs for an even grill surface.
- Bilingual label (English/French) on control panel with color-coded buttons.
- Egg-cracking bump outs on racks.

ESM-600

Electrical Ratings

Dimensions

Model & Mfg. No.	Approvals	Plug	Cover Hinge	Volts	Watts	Amps	Hz.	Width	Depth	Height	Shipping Weight
ESM-600 9300645		NEMA 5-15P	Back Side	120	1500	12.5	50/60	12 5/16" (313 mm)	15" (382 mm)	9 9/16" (243 mm)	26 lbs. (11.8 kg)
ESM-600 9300710		BS-1363	Back Side	230	1500	6.5	50/60	12 5/16" (313 mm)	15" (382 mm)	9 9/16" (243 mm)	26 lbs. (11.8 kg)
ESM-600* 9300647		NEMA 5-15P	Hinge pin	120	1500	12.5	50/60	12 5/16" (313 mm)	15" (382 mm)	9 9/16" (243 mm)	26 lbs. (11.8 kg)
ESM-600 9300651		IEC-309	Back Side	230	1500	16	50/60	12 5/16" (313 mm)	15" (382 mm)	9 9/16" (243 mm)	26 lbs. (11.8 kg)

* Includes hinged cover, rack, and egg rings.

Egg Station Mini Accesories - ESM sold without rings, rack, and cover. These must be purchased separately.

Mfg. No.	Description	For Use With
7002002	Includes cover, rack, and ring assembly to cook one 8" (203.2 mm) omelet. Sold separately.	ESM-600
7002003	Includes cover, rack, and ring assembly to cook six 3" (76.2 mm) eggs. Sold separately.	ESM-600

Dimensions are for item without shipping box. Shipping weight includes item and shipping box. **Items highlighted in blue are for international markets.**