



## Modular gas deck oven

### 2 decks composition

serieP gas consists of one or more independent baking chambers and an optional proofer or stand. The baking surface is made of refractory stone allowing the perfect heat distribution over the whole surface and making this oven particularly suitable for direct pizza baking, on floor or on trays. Temperature management is electronic. The oven door is hinged at the bottom, with a tempered glass window to check the product during baking. The stand consists of a painted metal structure, while the proofer is a stainless steel cabinet equipped with a heating thermostat. The proofer can reach the maximum temperature of 65°C(149°F), whereas the maximum temperature of the baking chamber is 450°C (842°F).



### OPERATION

- Heating by ramp burner
- Electronic temperature management
- Protected incandescent lighter
- Flame detector
- Maximum temperature reached 450°C (842°F)
- Continuous temperatures monitoring in baking chamber by thermocouple
- Exhaust fumes B11 or B21

### CONSTRUCTION

- Structure made in folded stainless steel
- Side panels in painted sheet metal
- Hood in stainless steel
- Steam duct in stainless steel plate
- Stainless steel door, tempered glass
- Door handle in stainless steel
- Two-layer refractory brick baking surface
- Top and side structure in aluminised steel
- Rock wool heat insulation

### ACCESSORIES

- Leavening proofer on wheels height 600, 800mm
- Stand with wheels height 400mm
- Spacer element height 300mm
- Additional tray holder guides for compartment and stand
- Activator discharge vapors
- Frontless hood

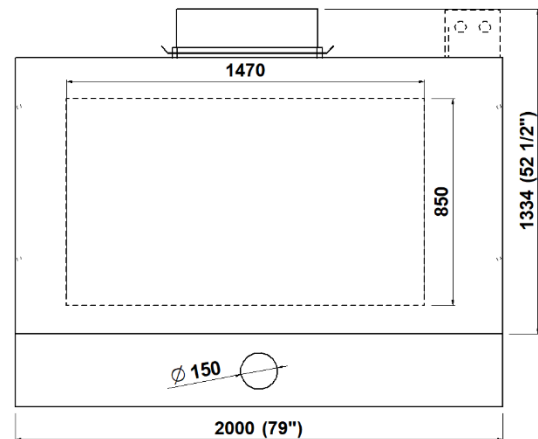
### INTERNAL BAKING DIMENSIONS

Internal height	180mm
Internal depth	850mm
Internal width	1470mm
Baking surface	1,24m <sup>2</sup>

### STANDARD EQUIPMENT

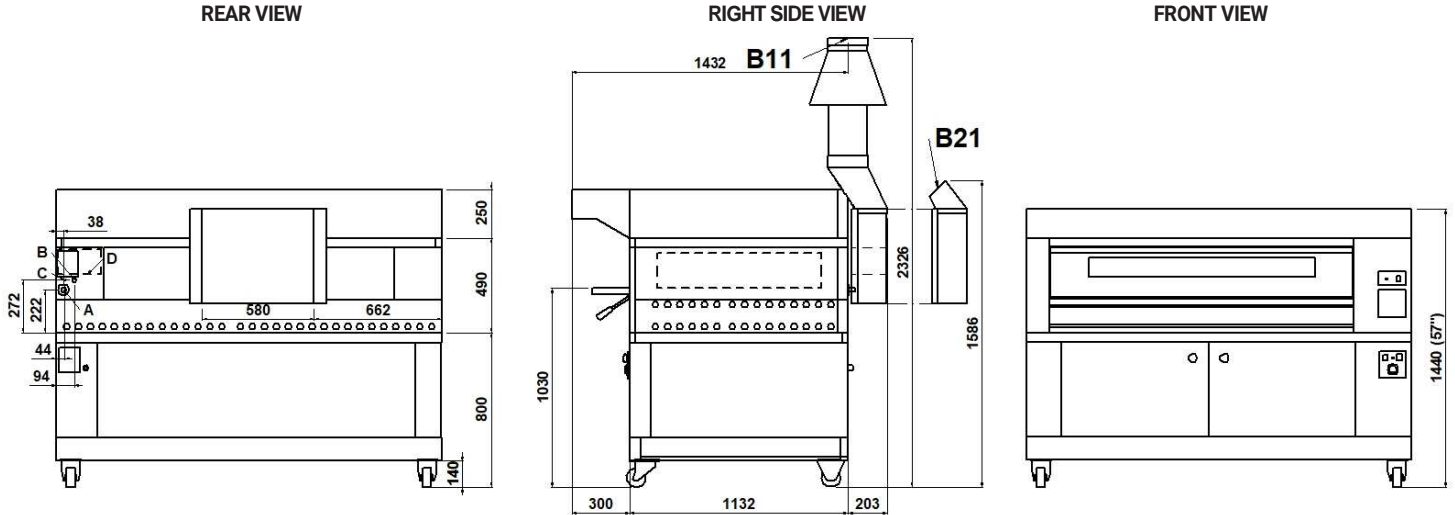
- Dual halogen lighting
- Independent maximum temperature safety device

### TOP VIEW



**1 baking chamber height 18cm**

(assembled with prover height 800mm)



**NOTE:** The dimensions indicated in the views are in millimeters. **B11 DIRECT VENTILATION (ø int 207mm). B21 UNDER VENTILATION HOOD**

A	B	C	D
1/2"	fairleads	M6	120V
cone shaped male gas manifold		equipotential screws	only for UL model

**DIMENSIONS**

External height	740mm
External depth	1334mm
External width	2000mm
Weight	369kg

**TOTAL BAKING CAPACITY**

Tray (600x400)mm	4
Pizza diameter 300mm	12
Pizza diameter 450mm	5

**SHIPPING INFORMATION**

Packed in wooden crate	
Height	1000mm
Depth	1960mm
Width	2190mm
Weight	(369+50)kg

When combined with leavening compartment or stand:	
Max height	1800mm
Max weight	(486+60)kg

**FEEDING AND POWER**

Appliance type	B11 or B21
Gas power supply	METHANE or LPG
*Consumption per hour max	
Methane G20	3,28m <sup>3</sup> /h
Methane G25	3,82m <sup>3</sup> /h
LPG G30	2,45kg/h

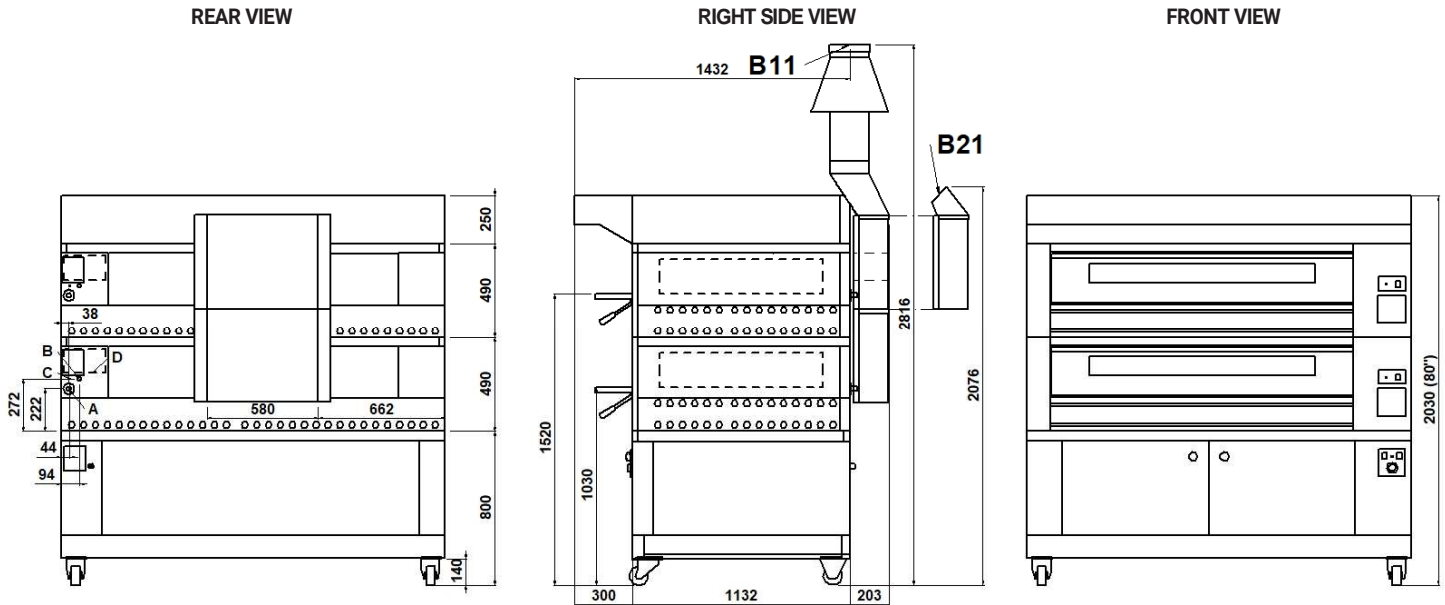
Electric power supply	
A.C. V230 1N	
Frequency	50/60Hz
Thermal Capacity	31kW

Connecting cable for each chamber type H07RN-F 3x2,5mm<sup>2</sup> (V230 1N)

Power supply (optional prover)	
A.C. V230 1N 50/60 Hz	
Max power	1,5kW
*Average power cons	0,8kWh
Conn. Cable type H07RN-F	3x1,5mm <sup>2</sup>

\* This value is subject to variation according to the way in which the equipment is used  
NOTE: MORETTI FORNI S.P.A. reserves the right to modify the characteristics of the products illustrated in this publication without prior notice

**2 baking chambers height 18cm**  
(assembled with prover height 800mm)



NOTE: The dimensions indicated in the views are in millimeters. **B11 DIRECT VENTILATION (ø int 207mm). B21 UNDER VENTILATION HOOD**

<b>A</b> 1/2" cone shaped male gas manifold	<b>B</b> fairleads	<b>C</b> M6 equipotential screws	<b>D</b> 120V only for UL model
---	-----------------------	--	---------------------------------------

**DIMENSIONS**

External height	1230mm
External depth	1334mm
External width	2000mm
Weight	649kg

**TOTAL BAKING CAPACITY**

Tray (600x400)mm	8
Pizza diameter 300mm	24
Pizza diameter 450mm	10

**SHIPPING INFORMATION**

Packed in wooden crate	
Height	1490mm
Depth	1960mm
Width	2190mm
Weight	(649+60)kg
When combined with leavening compartment or stand:	
Max height	2290mm
Max weight	(766+70)kg

**FEEDING AND POWER**

Appliance type	B11 or B21
Gas power supply	METHANE or LPG
*Consumption per hour max	
Methane G20	6,56m <sup>3</sup> /h
Methane G25	7,63m <sup>3</sup> /h
LPG G30	4,89kg/h
Electric power supply	
A.C. V230 1N	
Frequency	50/60Hz
Thermal Capacity	62kW

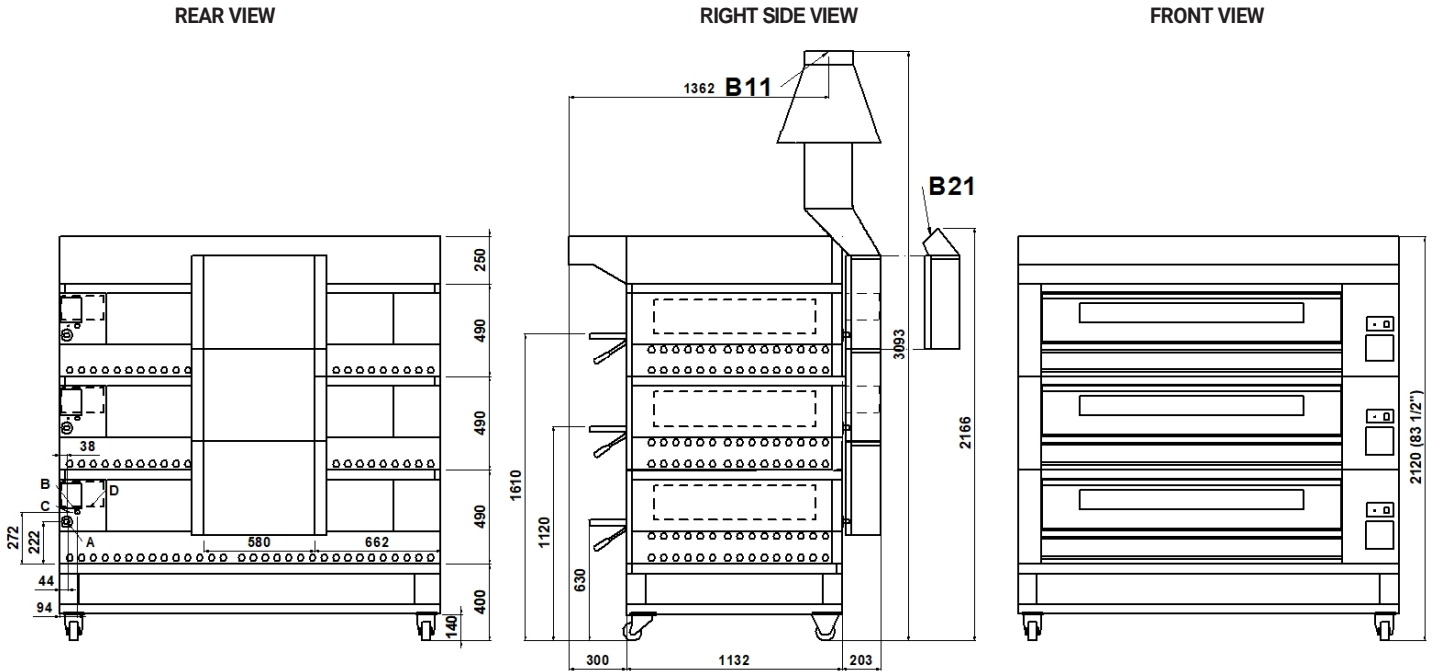
Connecting cable for each chamber  
type H07RN-F  
3x2,5mm<sup>2</sup> (V230 1N)

Power supply (optional prover)  
A.C. V230 1N 50/60 Hz  
Max power 1,5kW  
\*Average power cons 0,8kWh  
Conn. Cable type H07RN-F 3x1,5mm<sup>2</sup>

\* This value is subject to variation according to the way in which the equipment is used

NOTE: MORETTI FORNI S.P.A. reserves the right to modify the characteristics of the products illustrated in this publication without prior notice

**3 baking chambers height 18cm**  
(assembled with stand height 400mm)



**NOTE:** The dimensions indicated in the views are in millimeters. **B11 DIRECT VENTILATION (ø int 254mm).** **B21 UNDER VENTILATION HOOD**

A	B	C	D
1/2"	fairleads	M6	120V
cone shaped male gas manifold		equipotential screws	only for UL model

**DIMENSIONS**

External height	1720mm
External depth	1334mm
External width	2000mm
Weight	929kg

**TOTAL BAKING CAPACITY**

Tray (600x400)mm	12
Pizza diameter 300mm	36
Pizza diameter 450mm	15

**SHIPPING INFORMATION**

Packed in wooden crate	
Height	1980mm
Depth	1960mm
Width	2190mm
Weight	(929+70)kg

When combined with leavening compartment or stand:	
Max height	2380mm
Max weight	(1013+80)kg

**FEEDING AND POWER**

Appliance type	B11 or B21
Gas power supply	METHANE or LPG
*Consumption per hour max	
Methane G20	9,84m <sup>3</sup> /h
Methane G25	11,44m <sup>3</sup> /h
LPG G30	7,34kg/h

Electric power supply	
A.C. V230 1N	
Frequency	50/60Hz
Thermal Capacity	93kW

Connecting cable for each chamber  
type H07RN-F  
3x2,5mm<sup>2</sup> (V230 1N)  
Power supply (optional prover)  
A.C. V230 1N 50/60 Hz  
Max power 1,5kW  
\*Average power cons 0,8kWh  
Conn. Cable type H07RN-F 3x1,5mm<sup>2</sup>

\* This value is subject to variation according to the way in which the equipment is used

**NOTE:** MORETTI FORNI S.P.A. reserves the right to modify the characteristics of the products illustrated in this publication without prior notice

**TECHNICAL DATA**

ONLY FOR UL MODEL

<p><b>FEEDING AND POWER</b> (EACH DECK NEEDS TO BE CONNECTED INDEPENDENTLY AND THE LOAD SHOWN BELOW ARE PER DECK)</p>	Gas power supply	NATURAL	4inWC	10mbar	
		LP-GAS	10,5inWC	26,2mbar	
		Thermal Capacity	Btu/hr	110000	
	Electric power supply	Standard feeding		A.C. V208 1ph 60Hz	
			Max power	W/DECK	450
		Ampère max	A/DECK	2,4	
		Connecting cable	AWG/DECK	14	
	Proofer power supply	Standard feeding		A.C. V240 1ph 60Hz	
			Max power	kW	1,8
		*Medium cons/hour	kWh	0,9	
		Ampère Max	A/DECK	7,5	
	Connecting cable	AWG/DECK	14		
	Feeding on request	Baking chamber		A.C. V120 1ph 60Hz	
				A.C. V240 1ph 60Hz	
		Proofer		A.C. V208 1ph 60Hz	

\* This value is subject to variation according to the way in which the equipment is used

NOTE: MORETTI FORNI S.P.A. reserves the right to modify the characteristics of the products illustrated in this publication without prior notice