



HOSHIZAKI

> **FM-1000AKE**
(With Hoshizaki Storage Bin - **B-501SA**)



> **FM-750AKE**

daily ice production capacity of up to 750kg

> **FM-1000AKE**

daily ice production capacity of up to 1000kg



Aside for drinks, ice is important for preservation purposes. Hoshizaki's FM ice machines produce flakes consisting of 70% ice and 30% water, used primarily for cooling purposes and has no 'freeze-burn' effect when displaying fresh produce. It is also used in large facilities such as healthcare, catering, supermarket chains or even cocktail bars.



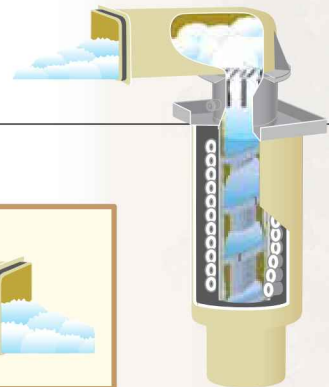
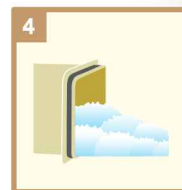
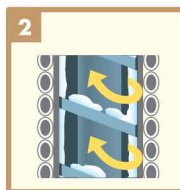
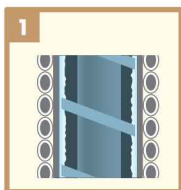
> **FM-750AKE**

FLAKE ICE MAKER SERIES

FEATURES

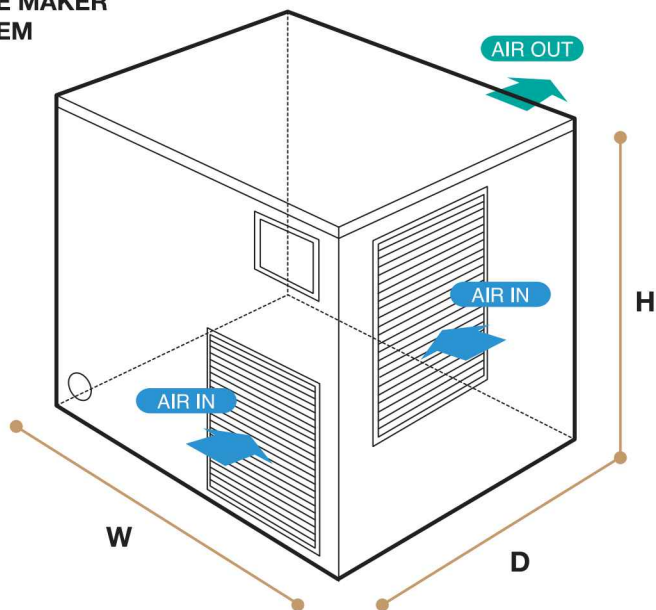
- > carbon auger bearings enhances product life expectancy, reduces maintenance cost
- > hydrocarbon refrigerants lowers energy consumption
- > 100% hfc free co2 foam insulation maintains consistent temperature
- > smart computer board technology
- > stainless steel exterior
- > led error indicator for easy diagnosis

UNIQUE ICE PRODUCTION SYSTEM

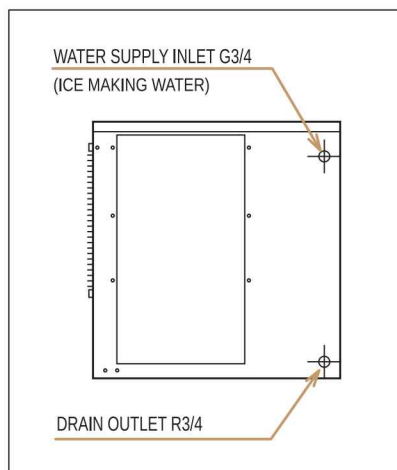


DIMENSIONS & SPECIFICATION

FLAKE ICE MAKER AIR SYSTEM



BACK SIDE



| MODEL NAME | FM-750AKE | FM-1000AKE-N |
|---|----------------------|----------------------|
| ICE SHAPE | Flake | |
| DIMENSIONS (MM) | 762 x 700 x 780 | |
| PACKED DIMENSIONS (MM) | 895 x 875 x 965 | |
| WEIGHT (NETT/GROSS) | 133 KG / 143 KG | 146 KG / 156 KG |
| AMPERAGE / STARTING AMPERAGE | 9.2A / 43A | 12.3A / 76A |
| ELECTRICAL CONSUMPTION | 1880 KG | 2490 KG |
| REFRIGERANT CHARGE | R404a | |
| HEAT REJECTION | 3650 W (3138 kcal/h) | 4470 W (3843 kcal/h) |
| ICE PRODUCTION PER 24H (15MM) | (AT10°C/WT10°C) | 750 KG |
| | (AT21°C/WT15°C) | 650 KG |
| | (AT32°C/WT21°C) | 530 KG |
| WATER CONSUMPTION PER 24H (AT21°C/WT15°C) | 0.68 m ³ | 0.9 m ³ |
| | 1L / 1KG ICE | 1L / 1KG ICE |

NOTE: All dimensions indicated are Width x Depth x Height in mm.

OPERATING CONDITIONS: • Voltage Range: 198V-254V • Ambient Temperature: 1°-40°C
• Water Supply: 5°-35°C / 0.05-0.8 Mpa / 7.25-116 PSI • AC Supply Voltage: 1/220-240V / 50 Hz

• **WARRANTY:** Two years parts & labour for entire unit, 3rd year on compressor only. Excluding door & exterior damages