

ROASTER CHARCOAL PARRILLA GP1G

TECHNICAL INFORMATION

Roasting area	630X620 mm
Fire up time	30 min average
Charcoal daily consumption*	Charcoal16 – 20 kg
Broiling temperature	200 °C to 250 °C
Exhaust rate	2.000 m3/h

DIMENSIONS & WEIGHTS

Without packaging	800X825X1000 mm
With packaging	880X970X1180 mm
Weight(NET)	130 kg
Weight (with packaging)	170 kg

INSTALLATION

Clearance with non-flammable equipment	100 mm
Clearance with flammable equipment	300 mm

*Depends on the charcoal quality.



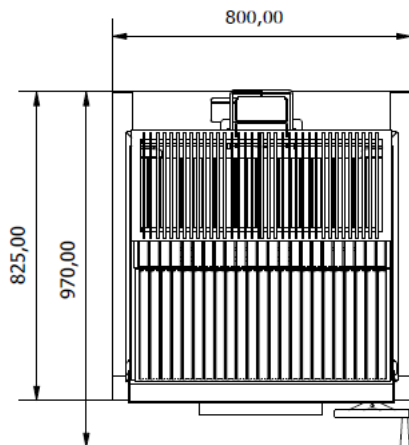
INCLUDED ACCESSORIES

1 "V" grooved removable grill rack // 2 removable upper racks // Grill scraper // Poker//
Ash pan drawer // Grease tray // Charcoal shovel // Fire bricks // Charcoal starter // Packaging

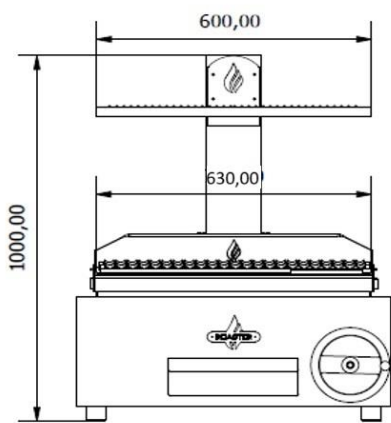
OPTIONAL ACCESSORIES

Extra "V" grills // "Z" grills // Rod grills

TECHNICAL DRAWINGS



*Dimensions in mm



*The parrillas are subject to technical and design changes without previous notice.

