

DUAL SH DBC® SST

Height: 36.0" Width: 18.0" Depth: 23.5"
(91.4cm) (45.7cm) (59.7cm)



- Brews 1/2, 1 or 1 1/2 gallon (1.9, 3.8 or 5.7L) batches
- Brews 18.9gal (71.5L) of perfect coffee per hour
- Reduce accidents with safety features that decrease hot splashes from funnel, eliminate brewing when funnel or server is not present
- Simplify installation and calibration by creating your own recipe cards and dedicated funnels with the BrewWISE Recipe Writer using your PC (Windows® compatible).
- Energy saver mode reduces tank temperature during idle periods
- Operate any combination of BrewWISE equipment error-free with wireless brewer-grinder interface through Smart Funnel with SplashGard®
- Stores individual coffee and flavor profiles using adjustable water volume, bypass percentage, pulse brew, and pre-infusion timing
- Troubleshoot all switches and electrical components from the front panel with advanced diagnostic service tools
- Servers not included unless otherwise noted

Server(s) sold separately

Agency:



Specifications

Product #: 33500.0008

Funnel: Smart Funnel

Water Access: Plumbed

Faucet: Upper

Interface: Wireless

Finish: Stainless

Additional Features

BrewWISE

Electrical & Capacity

Volts*	Amps	Watts	Cord Attached	Plug Type	8oz cups/hr 236ml cups/hr	Input H ₂ O Temp.	Phase	# Wires plus Ground	Hertz
220-240	27.0-29.5	6000-7100	No	-	283	60°F (15.5°C)	1	2	50-60

*When a BUNN is machine rated 120/208-240V, 120/208V or 120/240V, the higher voltage is the supply voltage needed to power the machine. The 120V is there to supply power to some components rated 120V in the machine, but it is not the supply voltage and would not power the machine if the machine is marked with the before mentioned ratings.

Plumbing Requirements

PSI	kPa	Fitting Supplied	Water Flow Required (GPM)
20-90	138-621	1/4" Male Flare Fitting	-

WARNING:

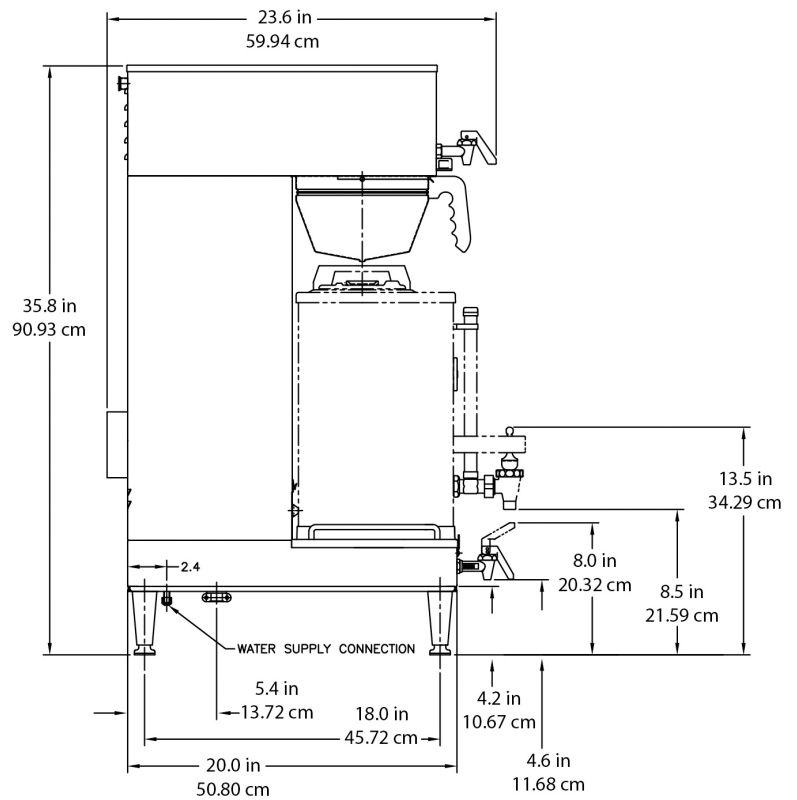
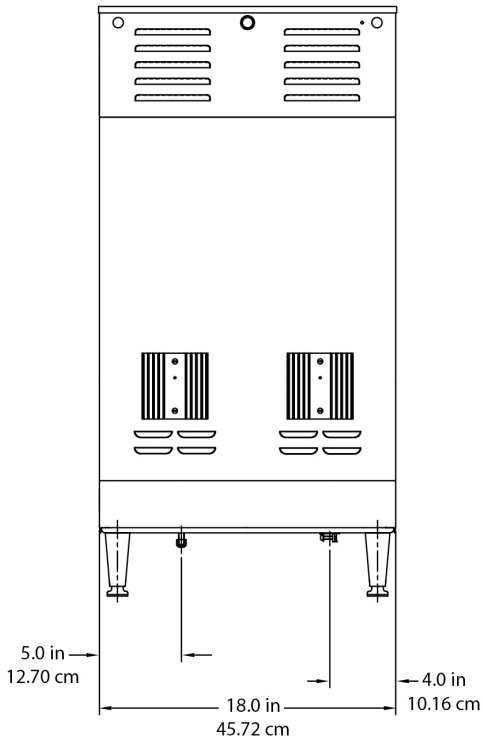
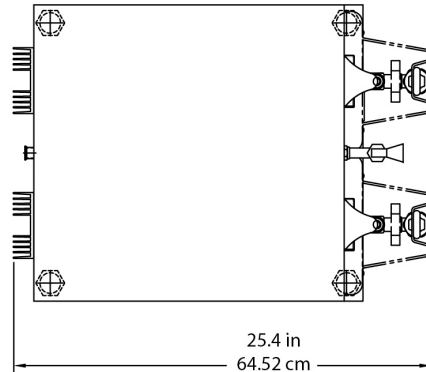
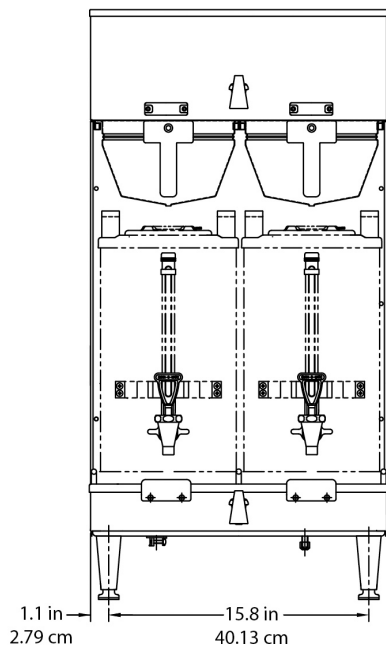
CAD Drawings

2D	Revit	KLC
●		



BUNN® reserves the right to change specifications and product design without notice. Such revisions do not entitle the buyer to corresponding changes, improvements, additions or replacements for previously purchased equipment. For most current specifications and other info visit bunn.com.

Last Updated:
12/11/2023



	Unit			Shipping				
	Height	Width	Depth	Height	Width	Depth	Weight	Volume
English	36.0 in.	18.0 in.	23.5 in.	39.8 in.	21.6 in.	27.1 in.	92.500 lbs	13.493 ft ³
Metric	91.4 cm	45.7 cm	59.7 cm	101.0 cm	54.9 cm	68.9 cm	41.958 kgs	0.382 m ³



BUNN® reserves the right to change specifications and product design without notice. Such revisions do not entitle the buyer to corresponding changes, improvements, additions or replacements for previously purchased equipment. For most current specifications and other info visit bunn.com.

Last Updated:
12/11/2023

Related Products & Accessories: DUAL SH DBC® SST(33500.0008)



FILTERS, GOURMET 500
500/1 50/CL

Product #: 20138.1000



DRIP TRAY KIT, DUAL &
SH

Product #: 27150.0000



1SH STAND, CE
220-240V 50-60 HZ EURO

Product #: 27825.0001



1SH STAND, CE
220-240V W/UK PLUG

Product #: 27825.0002



2SH STAND, CE
220-240V 50-60HZ EURO

Product #: 27875.0001



2SH STAND, CE 220V
60HZ INMETRO

Product #: 27875.0005



FUNNEL ASSY, W/
INSERTS SMTF

Product #: 32643.0000

CARD ASSY, RECIPE
TRANSFER (BRW)

Product #: 34447.0016



WATER FILTER,
EQHP-25L

Product #: 39000.0002



WATER FILTER,
EQHP-25

Product #: 39000.0005



SYSTEM, WQ-55(3).2L

Product #: 56000.0002



SYSTEM, WQ-55(3).2

Product #: 56000.0005



SYSTEM, WEQ-25(2).2L

Product #: 56000.0025



SYSTEM, WEQ-25(2).2

Product #: 56000.0028



CARTRIDGE, WQ-55
(3).2L

Product #: 56000.0102



CARTRIDGE, WQ-55(3).2

Product #: 56000.0105



CARTRIDGE, WEQ-25
(2).2L

Product #: 56000.0123



CARTRIDGE, WEQ-25
(2).2

Product #: 56000.0124



BUNN® reserves the right to change specifications and product design without notice. Such revisions do not entitle the buyer to corresponding changes, improvements, additions or replacements for previously purchased equipment. For most current specifications and other info visit bunn.com.

Last Updated:
12/11/2023

Serving & Holding Options: DUAL SH DBC® SST(33500.0008)



SH SERVER, 1.5G/5.7L
NO FL ADJ TMR

Product #:27850.0001



SH SERVER, 1.5G/5.7L
BLK NO FL ADJ TMR

Product #:27850.0004



SH SERVER, 1.5G/5.7L
45 MIN ADJ TMR

Product #:27850.0006



SH SERVER, 1.5G BLK
60 MIN ADJ TMR

Product #:27850.0008



SH SERVER, 1.5G 120
MIN ADJ TMR AUTO OFF

Product #:27850.0009



SH SERVER, 1.5G/5.7L
240 MIN ADJ TMR

Product #:27850.0016



SH SERVER, 1.5G/5.7L
BLK 120 MIN ADJ TM

Product #:27850.0022



SH-S SERVER 1G 60
MIN ADJ TMR

Product #:27850.0046



BUNN® reserves the right to change specifications and product design without notice. Such revisions do not entitle the buyer to corresponding changes, improvements, additions or replacements for previously purchased equipment. For most current specifications and other info visit bunn.com.

Last Updated:
12/11/2023