



HOSHIZAKI

> **KM-40B**

daily ice production capacity of up to 43kg

> **KM-55B**

daily ice production capacity of up to 53kg

> **KM-80B**

daily ice production capacity of up to 79kg



> **KM-55B**

Crescent-shaped ice moves around freely yet packs together tightly in its bin, maximising storage capacity. Individual crescents do not stick together as there are no air pockets so that each piece of ice comes across distinctive in a cup of drink. These self-contained units are excellent choices for small spaces and for establishments requiring less than 100kgs of ice daily.

CRESCENT ICE MAKER SERIES

FEATURES

- > upward opening for easy access
- > slide-in air filter for easy cleaning
- > automatic self-flushing
- > easy to disassemble for portability
- > audible controller board
- > stainless steel evaporator
- > quiet 58db noise level

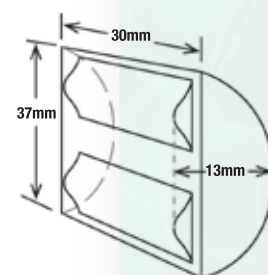


**Clear Individual
Crescent Ice**



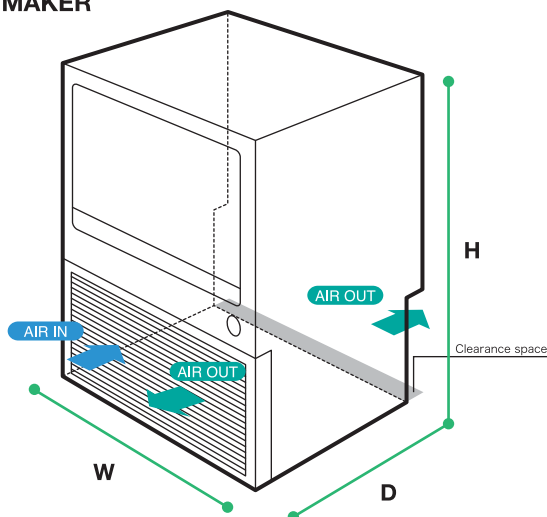
**Disassemble
Construction**

ICE SIZE

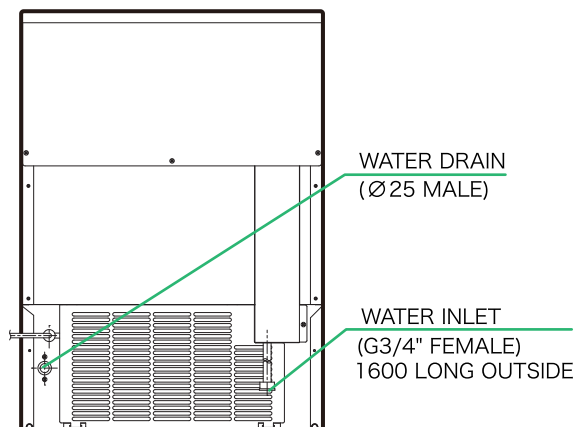


DIMENSIONS & SPECIFICATION

CRESCENT ICE MAKER AIR SYSTEM



BACK SIDE



MODEL NAME		KM-40B	KM-55B	KM-80B
ICE DIMENSIONS (MM)		37 x 30 x 13		
DIMENSIONS (MM)		452 x 617 x 842	605 x 617 x 842	605 x 719 x 842
PACKED DIMENSIONS (MM)		535 x 705 x 955	690 x 705 x 955	690 x 805 x 955
WEIGHT (NETT/GROSS)		40 KG / 50 KG	46 KG / 58 KG	51 KG / 64 KG
AMPERAGE / STARTING AMPERAGE		1.7A / 8.5A	1.9A / 15.5A	2.9A / 8.5A
ELECTRICAL CONSUMPTION		278 W	288 W	449 W
REFRIGERANT CHARGE		R134a / 210g		
HEAT REJECTION		620 W (533 kcal/h)	710 W (611 kcal/h)	850 W (731 kcal/h)
ICE PRODUCTION PER 24H (15MM)	(AT10°C/WT10°C)	43 KG	53 KG	79 KG
	(AT21°C/WT15°C)	41 KG	50 KG	74 KG
	(AT32°C/WT21°C)	33 KG	41 KG	57 KG
WATER CONSUMPTION PER 24H (AT21°C/WT15°C)		0.09 m ³	0.12 m ³	0.188 m ³
ICE PRODUCTION (AT21°C/WT15°C)	FREEZE CYCLE TIME	25 MIN	28 MIN	23 MIN
	PER CYCLE	0.78 KG / 80 PCS	1.03 KG / 110 PCS	1.25 KG / 130 PCS
STORAGE CAPACITY		16 KG	23 KG	40 KG

NOTE: All dimensions indicated are Width x Depth x Height in mm.

OPERATING CONDITIONS: • Voltage Range: 198V-254V • Ambient Temperature: 1°-40°C
• Water Supply: 5°-35°C / 0.07-0.8 Mpa / 7.25-116 PSI • AC Supply Voltage: 1/220-240V / 50 Hz

• **WARRANTY:** Two years parts & labour for entire unit, 3rd year on compressor only. Excluding door & exterior damages