



HOSHIZAKI



> **FM-480AKE**

flake ice

daily ice production capacity of up to 500kg



> **FM-480AKE-N**

nugget ice

daily ice production capacity of up to 430kg



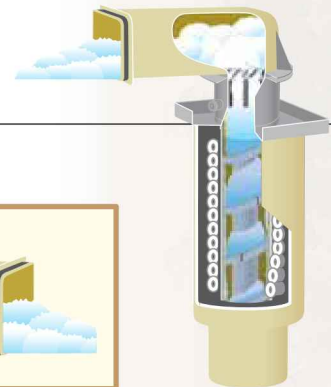
> **FM-480AKE**
(With Hoshizaki Storage Bin - **B-301SA**)

Aside for drinks, ice is important for preservation purposes. Hoshizaki's FM ice machines produce flakes consisting of 70% ice and 30% water, used primarily for cooling purposes and has no 'freeze-burn' effect when displaying fresh produce. It is also used in large facilities such as healthcare, catering, supermarket chains or even cocktail bars.

FLAKE ICE MAKER SERIES

FEATURES

- > carbon auger bearings enhances product life expectancy, reduces maintenance cost
- > hydrocarbon refrigerants lowers energy consumption
- > 100% hfc free co2 foam insulation maintains consistent temperature
- > stainless steel exterior
- > led error indicator for easy diagnosis
- > smart computer board technology

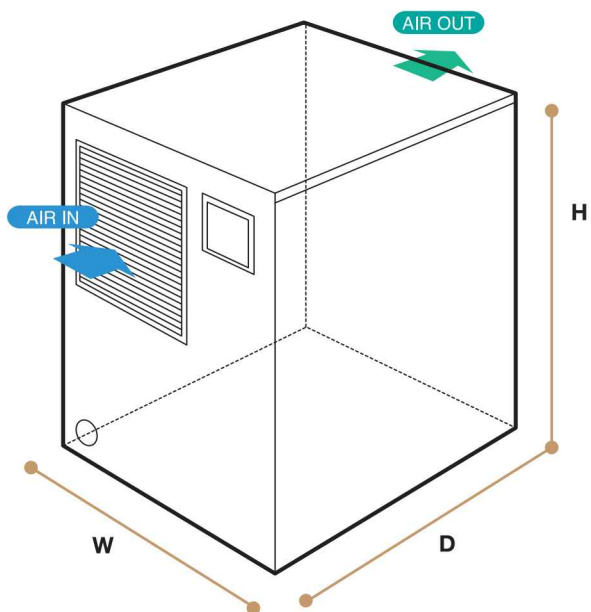


UNIQUE ICE PRODUCTION SYSTEM

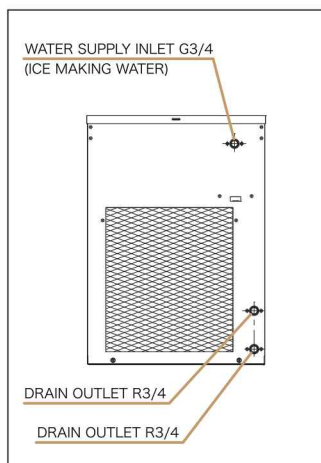


DIMENSIONS & SPECIFICATION

FLAKE ICE MAKER AIR SYSTEM



BACK SIDE



MODEL NAME	FM-480AKE	FM-480AKE-N	
ICE SHAPE	Flake	Nugget	
DIMENSIONS (MM)	560 x 700 x 780		
PACKED DIMENSIONS (MM)	671 x 820 x 971		
WEIGHT (NETT/GROSS)	95 KG / 102 KG		
AMPERAGE / STARTING AMPERAGE	8.4A / 43A	8.6A / 43A	
ELECTRICAL CONSUMPTION	1650 W		
REFRIGERANT CHARGE	R404a		
HEAT REJECTION	3320 W (2854 kcal/h)		
ICE PRODUCTION PER 24H (15MM)	(AT10°C/WT10°C)	500 KG	430 KG
	(AT21°C/WT15°C)	425 KG	360 KG
	(AT32°C/WT21°C)	325 KG	290 KG
WATER CONSUMPTION PER 24H (AT21°C/WT15°C)	0.455 m ³	0.39 m ³	
	1L / 1KG ICE	1L / 1KG ICE	

NOTE: All dimensions indicated are Width x Depth x Height in mm.

OPERATING CONDITIONS: • Voltage Range: 198V-254V • Ambient Temperature: 1°-40°C
• Water Supply: 5°-35°C / 0.05-0.8 Mpa / 7.25-116 PSI • AC Supply Voltage: 1/220-240V / 50 Hz

• **WARRANTY:** Two years parts & labour for entire unit, 3rd year on compressor only. Excluding door & exterior damages