



# HOSHIZAKI

## UNDERCOUNTER REFRIGERATOR

**RT-158MA-S**  
**RT-156MA-S**

A-FIT cabinets are designed to show outstanding performance and durability backed by Hoshizaki's many years of experience and high-quality standard. The cabinets combine ergonomic design with high functionality and strong cooling capacity to meet customer high expectations.



### KEY FEATURES

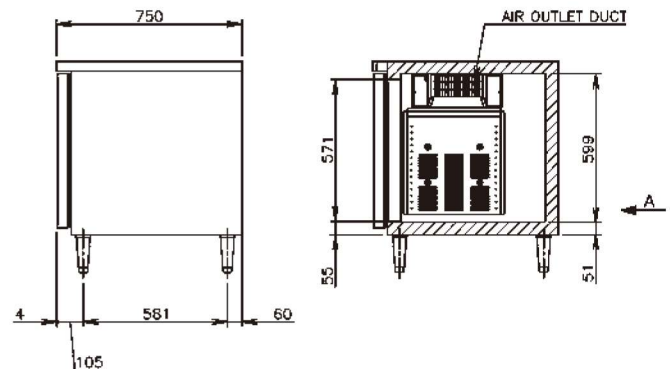
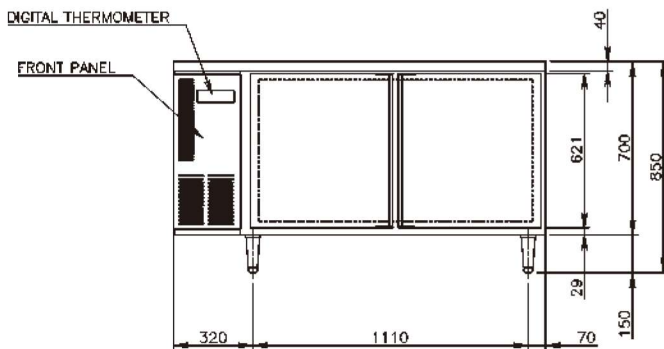
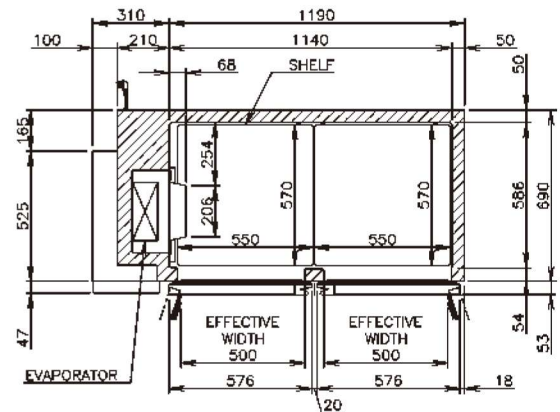
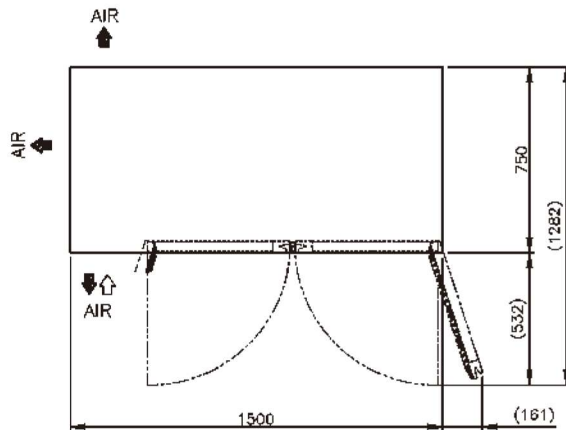
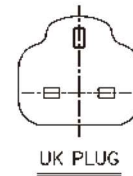
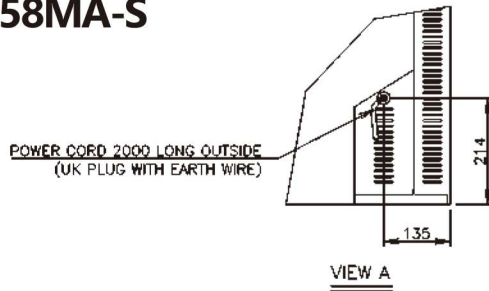
- > Enhanced cooling capacity with larger evaporator and stronger cooling fan
- > Cleaning-free condenser
- > Ergonomic full-height door
- > HACCP complied design
- > Forced evaporation system
- > Smart auto-defrost system
- > Field reversible door
- > LED interior lighting
- > Removable door gaskets

### CERTIFICATION



# DIMENSIONS & SPECIFICATION

## RT-158MA-S



MODEL	RT-158MA-S	RT-156MA-S
TEMP. CONTROL	-6 to 12°C	-6 to 12°C
EFFECTIVE CAPACITY	420 L	318 L
WEIGHT	87 kg (Gross: Approx. 92kg)	81 kg (Gross: Approx. 86kg)
OUTSIDE DIMENSIONS W x D x H (mm)	1500 x 750 x 850(-880)	1500 x 600 X 850(-880)
PACKAGE W x D x H (mm)	1565 x 830 x 790	1565 x 680 x 790
POWER SUPPLY	1 Phase 230V 50Hz Capacity: 0.5kVA (2.5A)	1 Phase 230V 50Hz Capacity: 0.5kVA (2.5A)
ELECTRIC CONSUMPTION	260W Heater: 189W Refrigeration 245W Defrost: 165W	260W Heater: 189W Refrigeration 245W Defrost: 165W
AMPERAGE	Rated 2.0A	Rated 2.0A
SHELF	4pcs.	4pcs.
OPERATING CONDITION	Ambient Temperature: 5-38°C Voltage Range: Rated Voltage ±6%	Ambient Temperature: 5-38°C Voltage Range: Rated Voltage ±6%



**HOSHIZAKI**

20 Ang Mo Kio Industrial Park 2A, #01-18/19,  
AMK Techlink Singapore 567761  
Tel : 6253 6001 Fax : 6250 0071  
universalsteel.com.sg