



HOSHIZAKI

UNDERCOUNTER REFRIGERATOR

RT-188MA-S RT-186MA-S

A-FIT cabinets are designed to show outstanding performance and durability backed by Hoshizaki's many years of experience and high-quality standard. The cabinets combine ergonomic design with high functionality and strong cooling capacity to meet customer high expectations.



KEY FEATURES

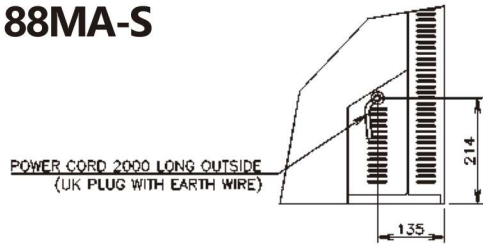
- > Enhanced cooling capacity with larger evaporator and stronger cooling fan
- > Cleaning-free condenser
- > Ergonomic full-height door
- > HACCP complied design
- > Forced evaporation system
- > Smart auto-defrost system
- > Field reversible door
- > LED interior lighting
- > Removable door gaskets

CERTIFICATION

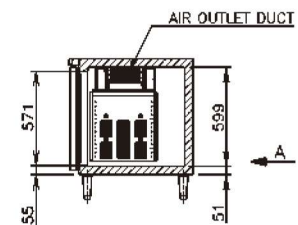
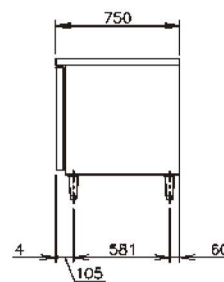
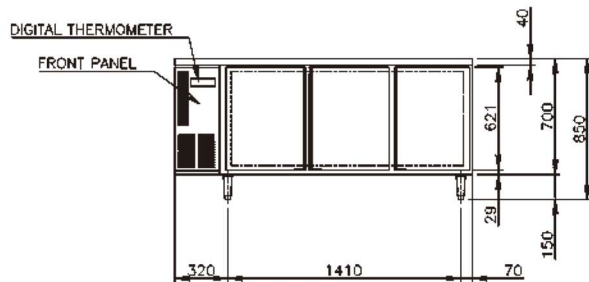
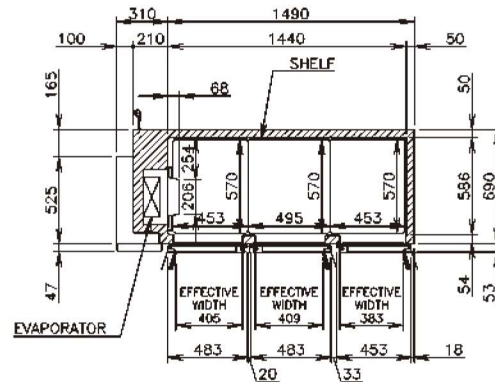
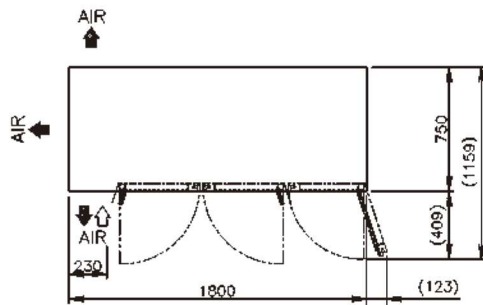


DIMENSIONS & SPECIFICATION

RT-188MA-S



VIEW A(1/10)



MODEL	RT-188MA-S	RT-186MA-S
TEMP. CONTROL	-6 to 12°C	-6 to 12°C
EFFECTIVE CAPACITY	502 L	401 L
WEIGHT	102kg (Gross: Approx. 107kg)	93 kg (Gross: Approx. 98kg)
OUTSIDE DIMENSIONS W x D x H (mm)	1800 x 750 x 850(-880)	1800 x 600 x 850(-880)
PACKAGE W x D x H (mm)	1865 x 830 x 790	1865 x 680 x 790
POWER SUPPLY	1 Phase 230V 50Hz Capacity: 0.67kVA (3.05A)	1 Phase 230V 50Hz Capacity: 0.67kVA (3.05A)
ELECTRIC CONSUMPTION	270W Heater: 201W Refrigeration 280W Defrost: 165W	270W Heater: 201W Refrigeration 280W Defrost: 165W
AMPERAGE	Rated 2.1A	Rated 2.1A
SHELF	6pcs.	3pcs.
OPERATING CONDITION	Ambient Temperature: 5-38°C Voltage Range: Rated Voltage ±6%	Ambient Temperature: 5-38°C Voltage Range: Rated Voltage ±6%



HOSHIZAKI

20 Ang Mo Kio Industrial Park 2A, #01-18/19,
AMK Techlink Singapore 567761
Tel : 6253 6001 Fax : 6250 0071
universalsteel.com.sg